



## PRODUCT INFO

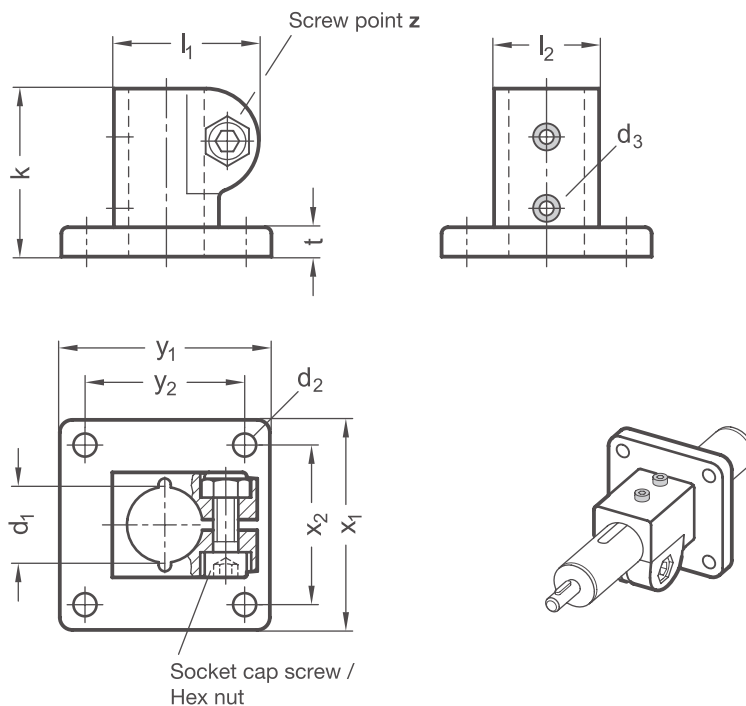
**Base linear unit connectors BK.E** of die-cast aluminum or precision-cast stainless steel have a slitted bore machined by cutting methods, with or without a sliding insert. This is arranged perpendicular to the face of the flange.

Together with the guide tube of the linear unit, the guide element bore forms a solid linear round guide mechanism that can be adjusted and clamped for low play. Drive keys transmit the linear movement of the linear unit to the linear unit connector.

Depending on the design, the part to be moved is fastened to the guide element or the guide element itself is installed at the place of use such that the entire linear unit moves together. At the screw point, a hex socket cap screw or an adjustable hand lever reduces size of the guide element bore.

Adjustable hand levers are intended for repeated, tool-free clamping. Under the designation HSK or HEK, these are available separately for individual use and in other designs. Compared with the tool-operated hex socket cap screw, the clamping force achievable with an adjustable hand lever is lower due to the shorter lever length.

**RoHS-compliant product**



Clamping point		<b>d<sub>2</sub></b>	Mounting screws on the drive key <b>d<sub>3</sub></b>	Clamping length <b>k</b>	<b>l<sub>1</sub></b>	<b>l<sub>2</sub></b>	<b>t</b>	<b>x<sub>1</sub></b>	<b>x<sub>2</sub></b>	<b>y<sub>1</sub></b>	<b>y<sub>2</sub></b>	Hex socket cap screw
Bore <b>d<sub>1</sub></b>	Without sliding insert (only alum.)											
B18	G18	5,5	M3	40	34,5	25	7	50	38	50	38	M 6-20

Screw point <b>z</b>	
1	Hex socket cap screw steel, zinc-plated DIN 912-8.8 and lock nut steel DIN 985-8, zinc-plated (only for aluminum linear unit connector)
2	Hex socket cap screw stainless steel DIN 912-A2-70 and lock nut stainless steel DIN 985-A2, glide coating

Surface / material <b>o</b>	
2	Aluminium textured powder-coated, Black RAL 9005
8	Aluminium blasted, matt
ED	Stainless steel, blasted, matt

**ORDER KEY**

**BK.E - d<sub>1</sub> - z - o**



**ON REQUEST**

- Surface  
ball-burnished, anodized or powder-coated in other RAL colors