



PRODUCT INFO

Base clamp mountings BP are made of polyamide by injection molding and have slitted clamping points.

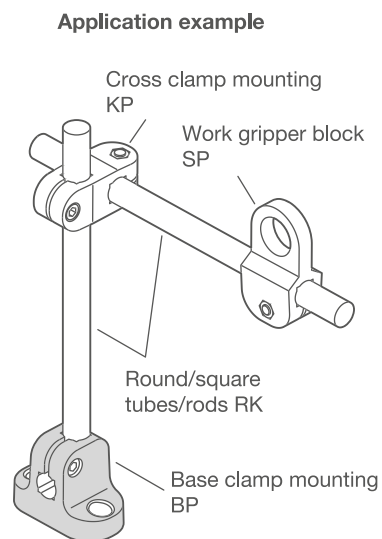
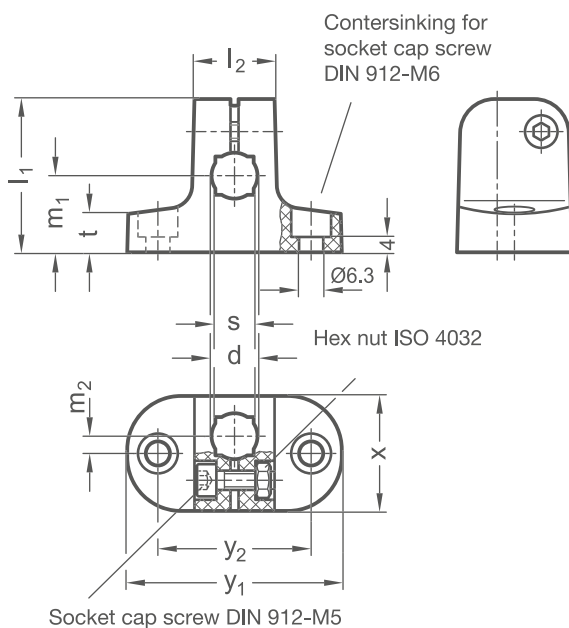
The base with two bores serves as an interface or for fastening the clamp mounting to the place of use.

The bores at the clamping points are situated in a plane and arranged in a T-shape, parallel / perpendicular to the fastening plane. They receive rods and tubes with round or square cross-sections via the additionally incorporated square bore.

Stainless steel screws and nuts reduce the bore cross-section for clamping.

The exceptionally lightweight plastic elements are well-suited for use in corrosive environments.

RoHS-compliant product



Clamping points									
Bore d	l₁	l₂	m₁	m₂	Square s	t ≈	x	y₁	y₂
B 10	40	21	20	4,5	V 8	10	30	56	40
B 12	40	21	20	4,5	V 10	10	30	56	40
B 14	40	21	20	4,5	V 12	10	30	56	40

ORDER KEY

BP - d

Base clamp mounting 
 Clamping points 