



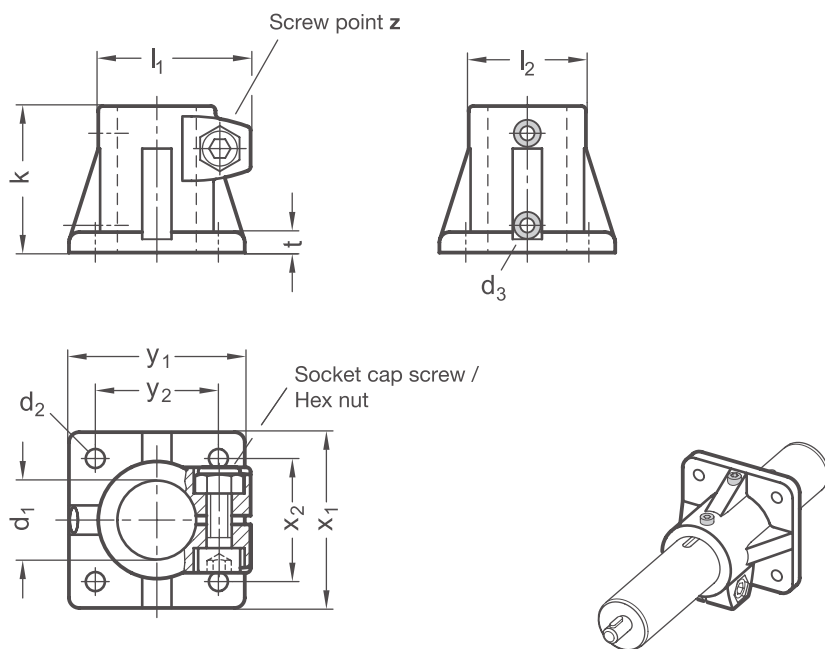
PRODUCT INFO

Base linear unit connectors BS.E of die-cast aluminum have a slitted bore machined by cutting methods, with or without a sliding insert. This is arranged perpendicular to the face of the flange.

Together with the guide tube of the linear unit, the guide element bore forms a solid linear round guide mechanism that can be adjusted and clamped for low play. Drive keys transmit the linear movement of the linear unit to the linear unit connector.

Depending on the design, the part to be moved is fastened to the guide element or the guide element itself is installed at the place of use such that the entire linear unit moves together. At the screw point, a hex socket cap screw reduces the guide element bore size.

RoHS-compliant product



| Clamping point | | Clamping length k | d₂ | Mounting screws on the drive key d₃ | l₁ | l₂ | t | x₁ | x₂ | y₁ | y₂ | Hex socket cap screw |
|------------------------------|--------------------------|-----------------------------|----------------------|--|----------------------|----------------------|----------|----------------------|----------------------|----------------------|----------------------|----------------------|
| Bore d₁ | | | | | | | | | | | | |
| Without sliding insert | With PTFE sliding insert | | | | | | | | | | | |
| B 30 | G 30 | 50 | 6,5 | M 4 | 52 | 40 | 7 | 60 | 42 | 60 | 42 | M 8-25 |
| B 30 | G 30 | 70 | 8,5 | M 4 | 68 | 56 | 10 | 90 | 64 | 90 | 64 | M 10-35 |
| B 40 | G 40 | 70 | 8,5 | M 5 | 68 | 56 | 10 | 90 | 64 | 90 | 64 | M 10-35 |
| B 40 | G 40 | 85 | 11 | M 5 | 77,5 | 65 | 14 | 105 | 74 | 105 | 74 | M 10-50 |
| B 50 | G 50 | 85 | 11 | M 6 | 77,5 | 65 | 14 | 105 | 74 | 105 | 74 | M 10-50 |
| B 60 | G 60 | 100 | 11 | M 8 | 92 | 80 | 14 | 125 | 89 | 125 | 89 | M 10-50 |

| Screw point z | |
|-------------------------|---|
| 1 | Hex socket cap screw steel, zinc-plated DIN 912-8.8 and lock nut steel DIN 985-8, zinc-plated |
| 2 | Hex socket cap screw stainless steel DIN 912-A2-70 and lock nut stainless steel DIN 985-A2, glide coating |

| Surface o | |
|---------------------|--|
| 2 | textured powder-coated, Black RAL 9005 |
| 8 | blasted, matt |

ORDER KEY

BS.E - d₁ - k - z - o



ON REQUEST

– Surface
ball-burnished, anodized or powder-coated in other RAL colors