

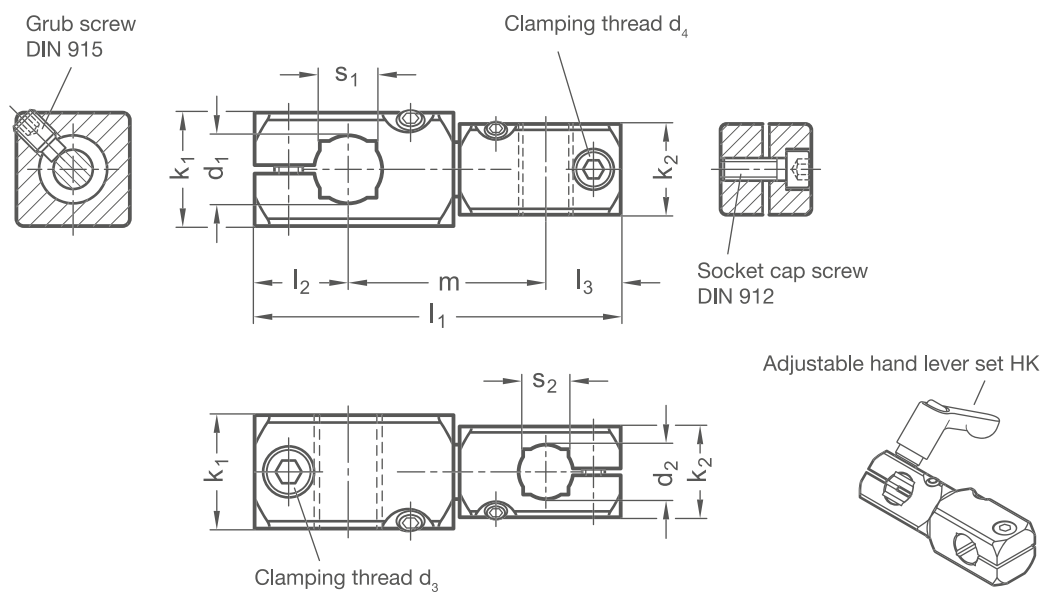
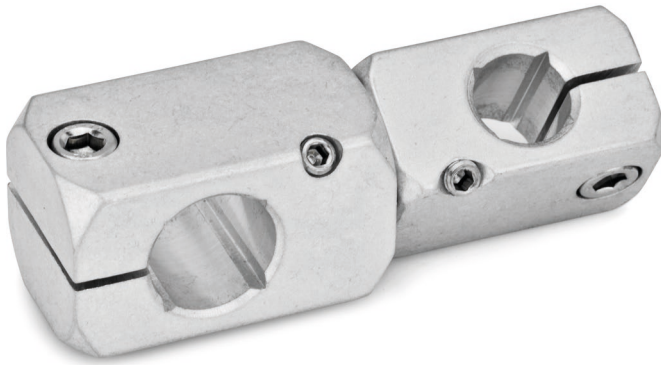
### PRODUCT INFO

**Swivel cross clamp mountings DGK** are made of drawn aluminum profiles and have slitted clamping points machined by cutting methods.

The clamping point bores are arranged offset in the plane and can be clamped at any angle to a centered connecting bolt using a grub screw. They receive rods and tubes with round or square cross-sections via the additionally incorporated square bore.

For clamping, stainless steel socket cap screws DIN 912-A2-70 combine with the clamping thread to reduce the bore cross-section of the clamping points. For regular tool-free clamping, adjustable hand lever sets are available as accessories under the designation HK.

**RoHS-compliant product**



Clamping point 1	Clamping point 2	Clamping thread d <sub>3</sub>	Clamping thread d <sub>4</sub>	k <sub>1</sub>	k <sub>2</sub>	l <sub>1</sub>	l <sub>2</sub>	l <sub>3</sub>	m	Square s <sub>1</sub>	Square s <sub>2</sub>	Accessories	
Bore d <sub>1</sub>	Bore d <sub>2</sub>											Hand lever set HK for d <sub>3</sub>	Hand lever set HK for d <sub>4</sub>
B 8	B 8	M 4	M 4	16	16	52,5	13	13	26,5	-	-	M 4-16	M 4-16
B 10	B 8	M 5	M 5	20	16	58	15,5	13	29,5	8	-	M 5-20	M 4-16
B 10	B 10	M 5	M 5	20	20	63,5	15,5	15,5	32,5	8	8	M 5-20	M 5-20
B 12	B 8	M 5	M 5	20	16	62	16,5	13	32,5	10	-	M 5-20	M 4-16
B 12	B 12	M 5	M 5	20	20	71,5	16,5	16,5	38,5	10	10	M 5-20	M 5-20
B 15	B 10	M 6	M 6	25	16	75,5	20	15,5	40	12	8	M 5-25	M 5-20
B 15	B 12	M 6	M 6	25	20	79,5	20	16,5	43	12	10	M 6-25	M 6-20
B 15	B 15	M 6	M 6	25	25	87,5	20	20	47,5	12	12	M 6-25	M 6-25
B 16	B 12	M 6	M 6	25	20	81	20	16,5	44,5	-	10	M 6-25	M 6-20
B 16	B 16	M 6	M 6	25	25	90,5	20	20	50,5	-	-	M 6-25	M 6-25
B 20	B 15	M 6	M 6	30	25	95	22	20	53	16	12	M 6-30	M 6-25
B 20	B 16	M 6	M 6	30	25	96,5	22	20	54,5	16	-	M 6-30	M 6-25
B 20	B 20	M 6	M 6	30	30	102,5	22	22	58,5	16	16	M 6-30	M 6-30

Surface

o

G	Tumbled, matt
S	Anodized black

ORDER KEY

DGK - d<sub>1</sub> - d<sub>2</sub> - o



ACCESSORIES

– Adjustable hand lever set **HK** see page 172

ON REQUEST

- Clamping points with special diameter
- Screw points with hex head screws
- Surface anodized in colors

2D  
2C  
2B  
2A  
1D  
1C  
1B  
1A