

PRODUCT INFO

Flanged clamps FK of die-cast aluminum or precision-cast stainless steel have a slitted clamping point machined by cutting methods.

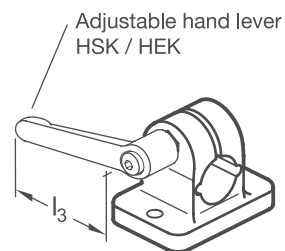
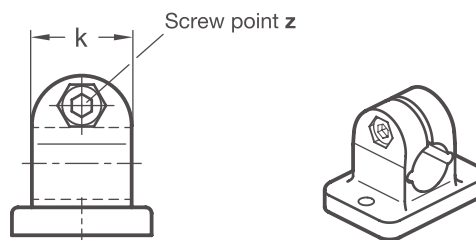
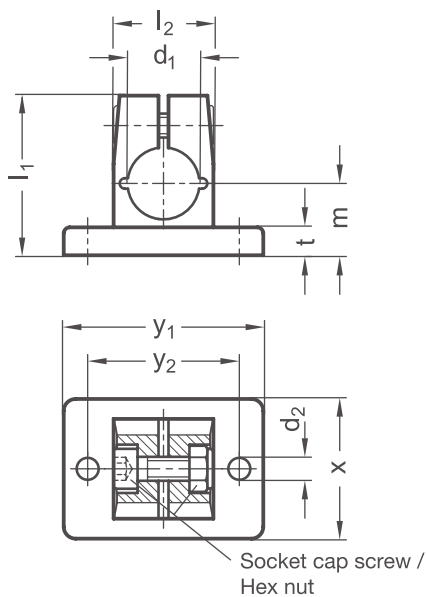
The flange with two bores serves as an interface or for fastening the clamp to the place of use.

The bore at the clamping point is arranged in the plane parallel to the face of the flange. It receives typically available rods and tubes with full surface contact over the entire cross-section of the bore.

At the screw point, a hex socket cap screw or an adjustable hand lever reduces the bore cross-section for clamping.

Adjustable hand levers are intended for repeated, tool-free clamping. Under the designation HSK or HEK, these are available separately for individual use and in other designs. Compared with the tool-operated hex socket cap screw, the clamping force achievable with an adjustable hand lever is lower due to the shorter lever length.

RoHS-compliant product



Clamping point													Accessories recom. hand lever for z	
Bore d₁		d₂	Clamping length k	l₁	l₂	m	t	x	y₁	y₂	Hex socket cap screw	HSK for aluminum clamp lever length l₃	HEK for stainless steel clamp lever length l₃	
Aluminum	Stainless steel													
B 10	-	5,5	25	40	25	18	7	35	50	38	M 6-20	-	-	
B 12	B 12	5,5	25	40	25	18	7	35	50	38	M 6-20	63	-	
B 14	B 14	5,5	25	40	25	18	7	35	50	38	M 6-20	63	-	
B 15	B 15	5,5	25	40	25	18	7	35	50	38	M 6-20	63	-	
B 16	B 16	5,5	25	40	25	18	7	35	50	38	M 6-20	63	-	
B 18	B 18	5,5	25	40	25	18	7	35	50	38	M 6-20	63	63	
-	B 20	5,5	25	40	25	18	7	35	50	38	M 6-20	-	63	

Screw point z	
1	Hex socket cap screw steel, zinc-plated DIN 912-8.8 and lock nut steel DIN 985-8, zinc-plated (only for aluminum clamps)
2	Hex socket cap screw stainless steel DIN 912-A2-70 and lock nut stainless steel DIN 985-A2, glide coating

Surface / material o	
2	Aluminum, textured powder-coated, Black RAL 9005
8	Aluminum, blasted, matt
ED	Stainless steel, blasted, matt

ORDER KEY

FK - d₁ - z - o



ACCESSORIES

- Adjustable hand lever **HSK** see page 168
- Stainless steel adjustable hand lever **HEK** see page 170

ON REQUEST

- Clamping point with special diameter
- Screw point with hex head screw
- Surface ball-burnished, anodized or powder-coated in other RAL colors

2D
2C
2B
2A
1D
1C
1B
1A