

PRODUCT INFO

Joint clamps GKT of die-cast aluminum or precision-cast stainless steel have slitted clamping points machined by cutting methods. They are comprised of two swivel clamps LKT.

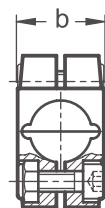
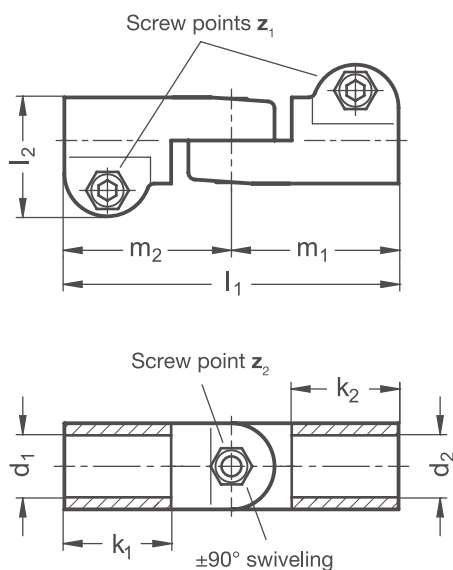
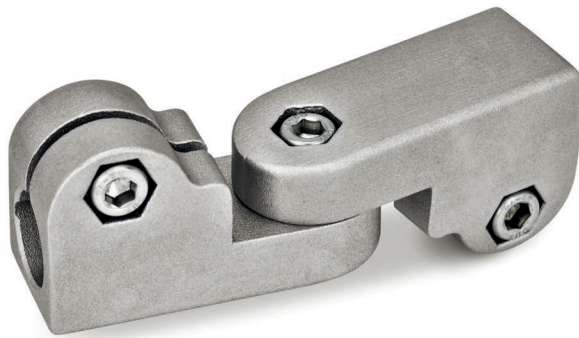
The clamping point bores are situated in a plane and are connected by the clamping joint to swivel by $\pm 90^\circ$, from aligned orientation to perpendicular. They receive typically available rods and tubes with full surface contact over the entire cross-section of the bore.

At the screw points, hex socket cap screws or adjustable hand levers reduce the bore cross-section for clamping.

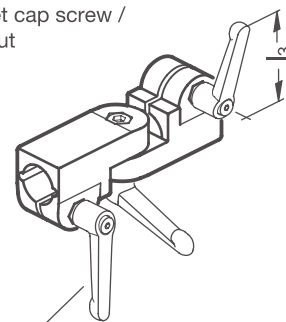
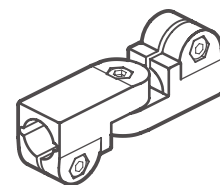
A hex socket cap screw or an adjustable hand lever at the clamping joint serves for locking the joint axis.

Adjustable hand levers are intended for repeated, tool-free clamping. Under the designation HSK or HEK, these are available separately for individual use and in other designs. Compared with the tool-operated hex socket cap screw, the clamping force achievable with an adjustable hand lever is lower due to the shorter lever length.

RoHS-compliant product



Socket cap screw /
Hex nut



Adjustable hand levers
HSK / HEK

Aluminum														Accessories recom. hand lever		
Clamping point 1 Bore d₁	Clamping point 2						b	k₁	k₂	l₁	l₂	m₁	m₂	Hex socket cap screws z₁ / z₂	HSK for aluminum clamp	
	Bore d₂														for z ₁ l ₃	for z ₂ l ₃
B12	B12	B14	B15	B16	B18	B18	25	31,5	31,5	97	34,5	48,5	48,5	M 6-20	63	63
B14	B12	B14	B15	B16	B18	B18	25	31,5	31,5	97	34,5	48,5	48,5	M 6-20	63	63
B15	B12	B14	B15	B16	B18	B18	25	31,5	31,5	97	34,5	48,5	48,5	M 6-20	63	63
B16	B12	B14	B15	B16	B18	B18	25	31,5	31,5	97	34,5	48,5	48,5	M 6-20	63	63
B18	B12	B14	B15	B16	B18	B18	25	31,5	31,5	97	34,5	48,5	48,5	M 6-20	63	63

Stainless steel														Accessories recom. hand lever		
Clamping point 1 Bore d₁	Clamping point 2						b	k₁	k₂	l₁	l₂	m₁	m₂	Hex socket cap screws z₁ / z₂	HEK for stainless steel clamp	
	Bore d₂														for z ₁ l ₃	for z ₂ l ₃
B12	B12	B14	B15	B16	B18	B20	25	31,5	31,5	97	34,5	48,5	48,5	M 6-20	-	63
B14	B12	B14	B15	B16	B18	B20	25	31,5	31,5	97	34,5	48,5	48,5	M 6-20	-	63
B15	B12	B14	B15	B16	B18	B20	25	31,5	31,5	97	34,5	48,5	48,5	M 6-20	-	63
B16	B12	B14	B15	B16	B18	B20	25	31,5	31,5	97	34,5	48,5	48,5	M 6-20	-	63
B18	B12	B14	B15	B16	B18	B20	25	31,5	31,5	97	34,5	48,5	48,5	M 6-20	63	63
B20	B12	B14	B15	B16	B18	B20	25	31,5	31,5	97	34,5	48,5	48,5	M 6-20	63	63

Screw points z	
1	Hex socket cap screw steel, zinc-plated DIN 912-8.8 and lock nut steel DIN 985-8, zinc-plated (only for aluminum clamps)
2	Hex socket cap screw stainless steel DIN 912-A2-70 and lock nut stainless steel DIN 985-A2, glide coating

Surface / material o	
2	Aluminum, textured powder-coated, Black RAL 9005
8	Aluminum, blasted, matt
ED	Stainless steel, blasted, matt

ORDER KEY

GKT - d₁ - d₂ - z - o



ACCESSORIES

- Adjustable hand levers **HSK** see page 168
- Stainless steel adjustable hand levers **HEK** see page 170

ON REQUEST

- Clamping points with different diameters d₁ and d₂ or special diameter
- Screw points with hex head screws or mixed screw / adjustable hand lever elements
- Surface ball-burnished, anodized or powder-coated in other RAL colors

2D
2C
2B
2A
1D
1C
1B
1A