

### PRODUCT INFO

**Joint clamps GSF** of die-cast aluminum have a slitted clamping point machined with cutting methods. They are comprised of swivel clamps LSF and LST.

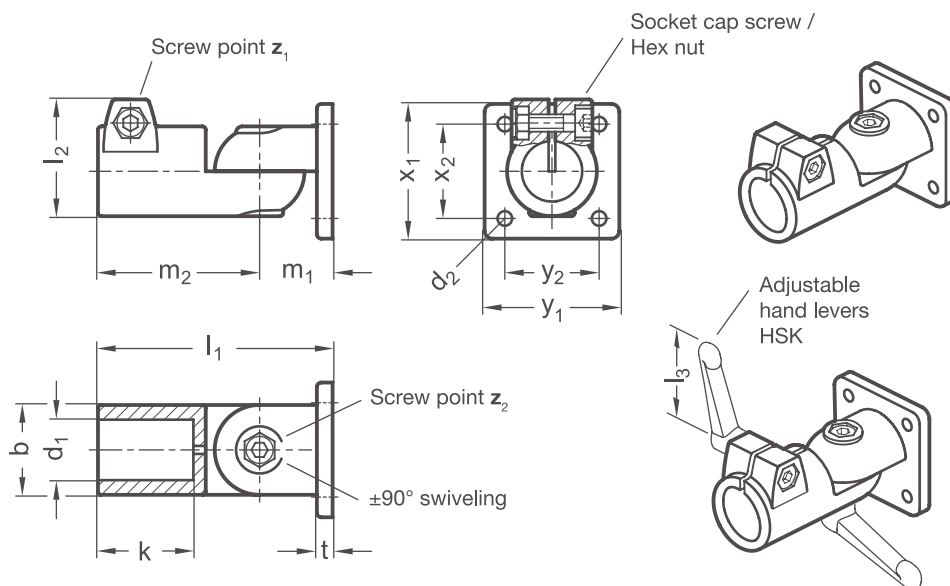
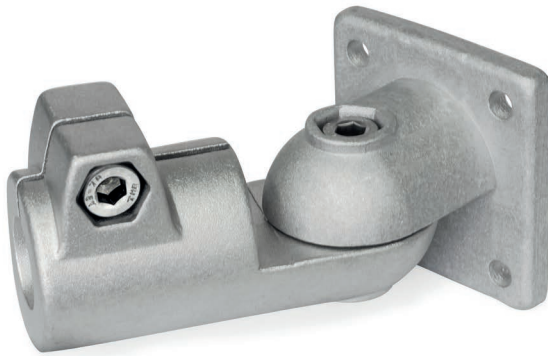
The clamping point bore is centered in the plane and can be rotated by  $\pm 90^\circ$  perpendicular to the flange face. It receives typically available construction tubes with full surface contact over the entire cross-section of the bore.

At the screw point, a hex socket cap screw or an adjustable hand lever reduces the bore cross-section for clamping. A hex socket cap screw or an adjustable hand lever at the clamping joint serves for locking the joint axis. The clamping joint can be adjusted either steplessly or based on the serration pattern.

The flange with four bores serves as an interface or for fastening the clamp to the place of use.

Adjustable hand levers are intended for repeated, tool-free clamping. Under the designation HSK, these are available separately for individual use and in other designs. Compared with the tool-operated hex socket cap screw, the clamping force achievable with an adjustable hand lever is lower due to the shorter lever length.

**RoHS-compliant product**



Clamping point Bore <b>d<sub>1</sub></b>	Lug width <b>b</b>	<b>d<sub>2</sub></b>	<b>k</b>	<b>l<sub>1</sub></b>	<b>l<sub>2</sub></b>	<b>m<sub>1</sub></b>	<b>m<sub>2</sub></b>	<b>t</b>	<b>x<sub>1</sub></b>	<b>x<sub>2</sub></b>	<b>y<sub>1</sub></b>	<b>y<sub>2</sub></b>	Hex socket cap screw <b>Z<sub>1</sub></b>	Hex socket cap screw <b>Z<sub>2</sub></b>	Accessories recom. hand lever	
															HSK for z <sub>1</sub> <b>l<sub>3</sub></b>	HSK for z <sub>2</sub> <b>l<sub>3</sub></b>
B 20	40	6,5	42,5	104,5	52	32,5	72	7	60	42	60	42	M 8-25	M 8-30	-	78
B 25	40	6,5	42,5	104,5	52	32,5	72	7	60	42	60	42	M 8-25	M 8-30	78	78
B 30	40	6,5	42,5	104,5	52	32,5	72	7	60	42	60	42	M 8-25	M 8-30	78	78
B 40	65	11	74	167	77,5	52	115	14	105	74	105	74	M 10-50	M 10-55	-	92
B 42	65	11	74	167	77,5	52	115	14	105	74	105	74	M 10-50	M 10-55	-	92
B 45	65	11	74	167	77,5	52	115	14	105	74	105	74	M 10-50	M 10-55	92	92
B 48	65	11	74	167	77,5	52	115	14	105	74	105	74	M 10-50	M 10-55	92	92
B 50	65	11	74	167	77,5	52	115	14	105	74	105	74	M 10-50	M 10-55	92	92

Type  
**t**

S	Stepless adjustment
T	Adjustment with 15° division (serration)

Screw points  
**z**

1	Hex socket cap screw steel, zinc-plated DIN 912-8.8 and lock nut steel DIN 985-8, zinc-plated
2	Hex socket cap screw stainless steel DIN 912-A2-70 and lock nut stainless steel DIN 985-A2, glide coating

Surface  
**o**

2	textured powder-coated, Black RAL 9005
8	blasted, matt

ORDER KEY

**GSF - d<sub>1</sub> - t - z - o**



ACCESSORIES

- Adjustable hand levers **HSK** see page 168

ON REQUEST

- Clamping point with special diameter
- Screw points with hex head screws or mixed screw / adjustable hand lever elements
- Surface ball-burnished, anodized or powder-coated in other RAL colors

2D  
2C  
2B  
2A  
1D  
1C  
1B  
1A