



### PRODUCT INFO

**Joint clamps GSFQ.P** of glass fiber reinforced polyamide have a slitted clamping point. They are comprised of swivel clamps LSF.P and LSQ.P.

The clamping point bore is centered in the plane and parallel to the flange surface so that it can be swiveled by  $\pm 90^\circ$ . It receives typically available construction tubes with full surface contact over the entire cross-section of the bore.

Adapter bushings RBS.P can be used to reduce the bore cross-sections to a smaller diameter.

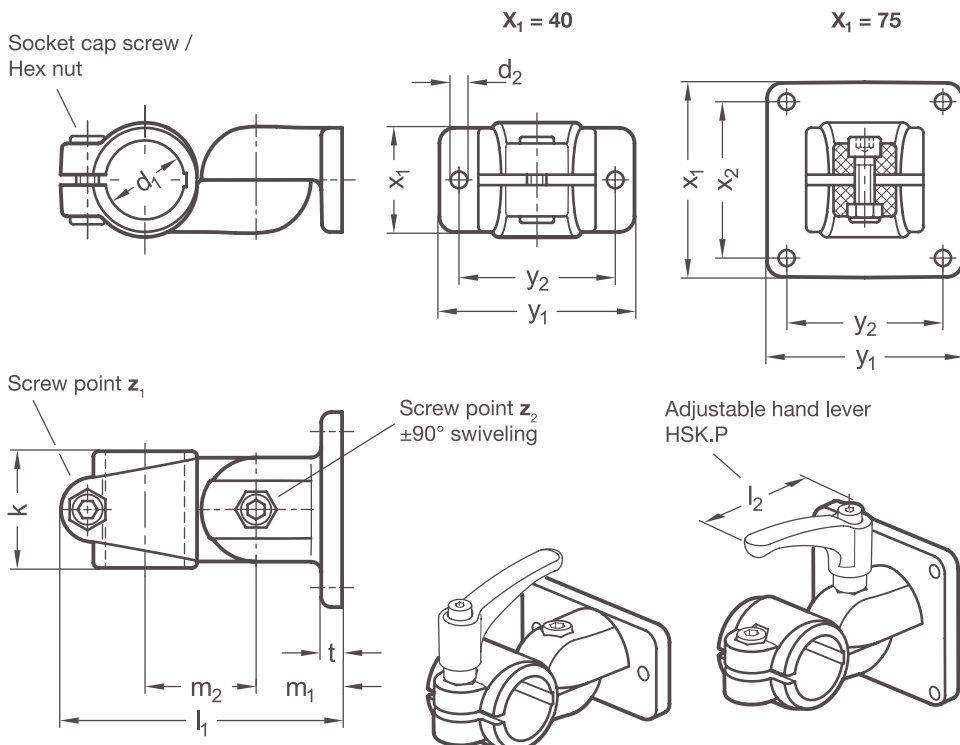
At the screw point, a hex socket cap screw or an adjustable hand lever reduces the bore cross-section for clamping. A hex socket cap screw or an adjustable hand lever at the clamping joint serves for locking the joint axis. The clamping joint can be adjusted either steplessly or based on the serration pattern. The flange with four or two bores serves as an interface or for fastening the clamp to the place of use.

Adjustable hand levers are intended for repeated, tool-free clamping. Under the designation HSK.P, these are available separately for individual use and in other designs. Compared with the tool-operated hex socket cap screw, the clamping force achievable with an adjustable hand lever is lower due to the shorter lever length.

### RoHS-compliant product



Original design TCC-TP-PBF / -PB



Clamping point Bore <b>d<sub>1</sub></b>	<b>x<sub>1</sub></b>	<b>d<sub>2</sub></b>	<b>k</b>	<b>l<sub>1</sub></b>	<b>m<sub>1</sub></b>	<b>m<sub>2</sub></b>	<b>t</b>	<b>x<sub>2</sub></b>	<b>y<sub>1</sub></b>	<b>y<sub>2</sub></b>	Hex socket cap screws <b>Z<sub>1</sub></b>	Hex socket cap screws <b>Z<sub>2</sub></b>	Accessories recom. hand lever	
													HSK.P for z <sub>1</sub> / z <sub>2</sub> lever length l <sub>2</sub>	
B 30	40	6,5	44,5	106	33	42	8	-	75	60	M 8-25	M 8-25	63	78
B 30	75	6,5	44,5	106	33	42	8	60	75	60	M 8-25	M 8-25	63	78

Type <b>t</b>	
S	Stepless adjustment
T	Adjustment with 10° division (serration)

Screw points <b>z</b>	
2	Hex socket cap screw stainless steel DIN 912-A2-70 and lock nut stainless steel DIN 985-A2, glide coating

Surface <b>o</b>	
2	Polyamide (PA), glass fiber reinforced, Black RAL 9005 matt, temperature resistant up to 100 °C
4	Polyamide (PA), glass fiber reinforced, Gray RAL 7040 matt, temperature resistant up to 100 °C

**ORDER KEY**

**GSFQ.P - d<sub>1</sub> - x<sub>1</sub> - t - z - o**



**ACCESSORIES**

- Adapter bushings **RBS.P** see page 26
- Adjustable hand levers **HSK.P** see page 28