



PRODUCT INFO

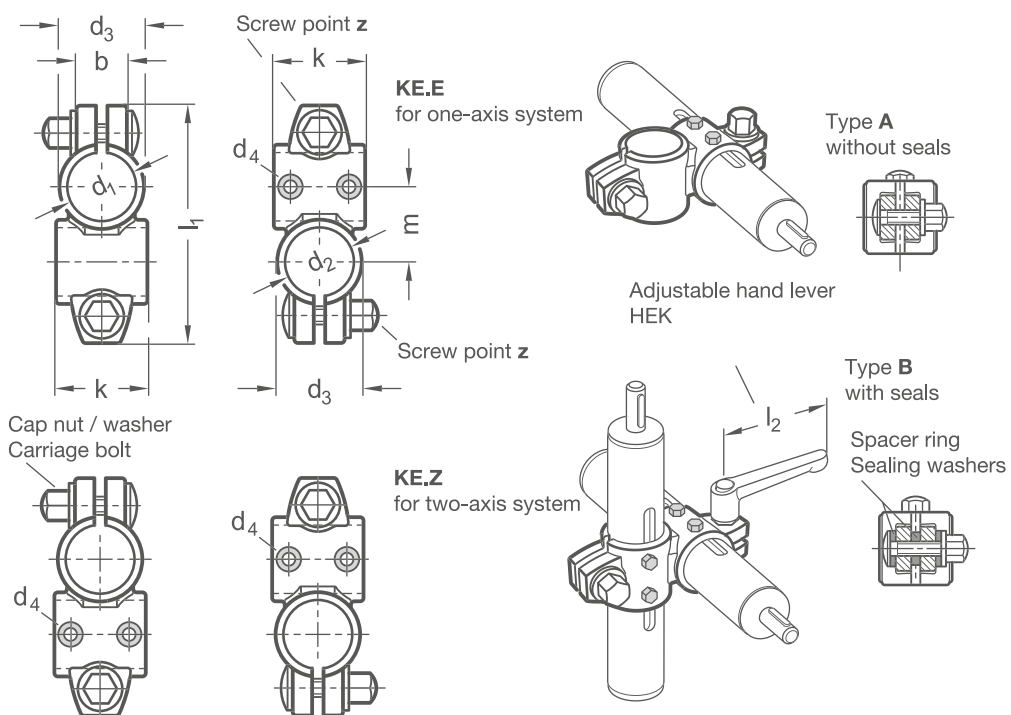
Cross linear unit connectors KE.E and KE.Z of precision-cast stainless steel have slitted clamping points and guide element bores machined by cutting methods and equipped with a sliding insert. The bores are offset in the plane and arranged at an angle of 90°.

Together with the guide tube of the linear unit, the guide element bores form a solid linear round guide mechanism that can be adjusted and clamped for low play. Drive keys transmit the linear movement of the linear unit to the linear unit connector.

Depending on the design, the part to be moved is fastened to the guide element or the guide element itself is installed at the place of use such that the entire linear unit moves together. At the screw points, carriage bolts together with cap nuts or adjustable hand levers reduce the guide element bore or clamping point size. Type B is equipped with seals at the screw points.

Adjustable hand levers are intended for repeated, tool-free clamping. Under the designation HEK, these are available separately for individual use and in other designs. Compared with the tool-operated hex socket cap screw, the clamping force achievable with an adjustable hand lever is lower due to the shorter lever length.

RoHS-compliant product



KE.E for one-axis systems

Clamping point 1 - 2								Accessories recom. hand lever
d₁ - d₂ With PTFE sliding insert	b	d₃	Mounting screws on the drive key d₄	Clamping length k	l₁	m	Hex socket cap screws	HEK for z lever length l₂
G30 - B30	22	37	M 4	40	104	33	M 8	78
G50 - B50	30	60	M 6	65	150	53	M 10	92

KE.Z for two-axis systems

Clamping point 1 - 2								Accessories recom. hand lever
d₁ - d₂ With PTFE sliding insert	b	d₃	Mounting screws on the drive key d₄	Clamping length k	l₁	m	Hex socket cap screws	HEK for z lever length l₂
G30 - G30	22	37	M 4	40	104	33	M 8	78
G50 - G50	30	60	M 6	65	150	53	M 10	92

Type
t

A	Without seals
B	With seals (sealing washer polyacetal POM, blue, spacer ring silicone 40 ... 60 Shore A, blue)

Screw point
z

4	Cap nut stainless steel DIN 917-A2 and carriage bolt stainless steel DIN 603-A2
---	---

ACCESSORIES

– Stainless steel adjustable hand levers **HEK** see page 170

One-axis system

ORDER KEY

KE.E - d₁ - d₂ - t - z



Two-axis system

ORDER KEY

KE.Z - d₁ - d₂ - t - z

