

### PRODUCT INFO

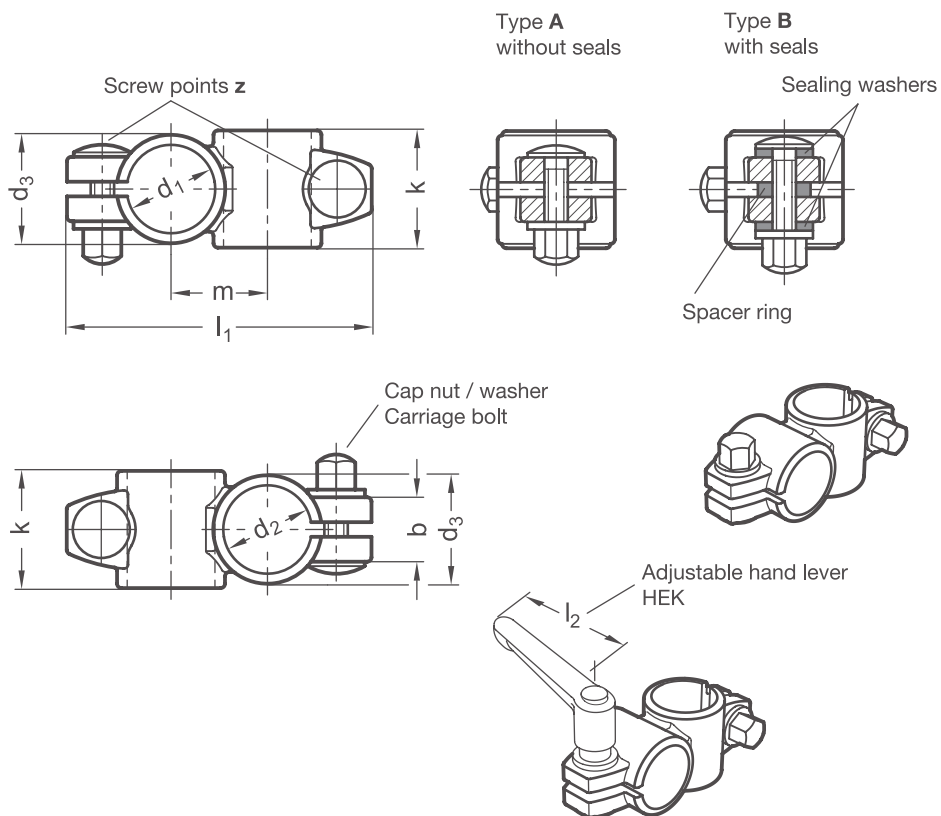
**Cross clamps KE** of matt blasted precision-cast stainless steel have a slitted clamping point machined by cutting methods.

The bores of the clamping points are offset in the plane and arranged at an angle of 90°. They receive typically available construction tubes with full surface contact over the entire cross-section of the bore.

At the screw points, carriage bolts together with cap nuts or adjustable hand levers reduce the bore cross-section for clamping. Type B is equipped with seals at the screw points.

Adjustable hand levers are intended for repeated, tool-free clamping. Under the designation HEK, these are available separately for individual use and in other designs. Compared with the tool-operated hex socket cap screw, the clamping force achievable with an adjustable hand lever is lower due to the shorter lever length.

### RoHS-compliant product



Clamping point 1	Clamping point 2	b	d <sub>3</sub>	Clamping length k	l <sub>1</sub>	m	Cap nut	Accessories recom. hand lever
Bore d <sub>1</sub>	Bore d <sub>2</sub>							HEK for z lever length l <sub>2</sub>
B 30	B 30	22	37	40	104	33	M 8	78
B 40	B 40	28	50,2	56	133	45	M 10	92
B 50	B 50	30	60	65	150	53	M 10	92

Type t	
A	Without seals
B	With seals (sealing washer polyacetal POM, blue, spacer ring silicone 40 ... 60 Shore A, blue)

Screw points z	
4	Cap nut stainless steel DIN 917-A2 and carriage bolt stainless steel DIN 603-A2

**ORDER KEY**

**KE - d<sub>1</sub> - d<sub>2</sub> - t - z**



**ACCESSORIES**

– Stainless steel adjustable hand levers **HEK** see page 170

**ON REQUEST**

- Clamping points with special diameter
- Screw points with hex head screws or mixed screw / adjustable hand lever elements