

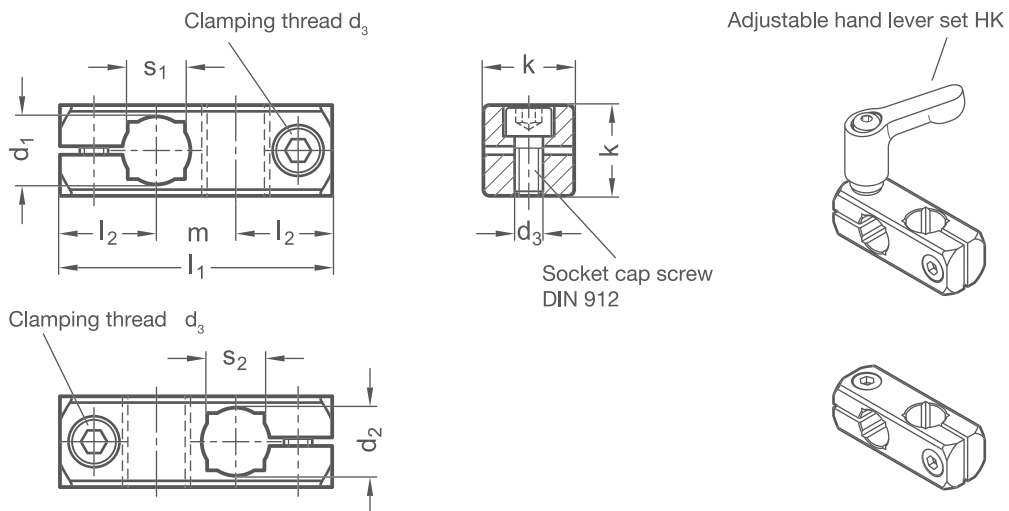
PRODUCT INFO

Cross clamp mountings KG are made of drawn aluminum profiles and have slitted clamping points machined by cutting methods.

The bores of the clamping points are offset in the plane and arranged at an angle of 90°. They receive rods and tubes with round or square cross-sections via the additionally incorporated square bore.

For clamping, stainless steel socket cap screws DIN 912-A2-70 combine with the clamping thread to reduce the bore cross-section. For regular tool-free clamping, adjustable hand lever sets are available as accessories under the designation HK.

RoHS-compliant product



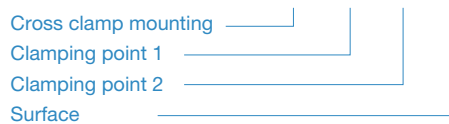
Clamping point 1	Clamping point 2	Clamping thread d_3	k	l_1	l_2	m	Square s_1	Square s_2	Accessories
Bore d_1	Bore d_2								Hand lever set HK for d_3
B 8	B 8	M 4	14	37	13,5	10	-	-	M 4-14
B 10	B 8	M 5	16	46	17	12	8	-	M 5-16
B 10	B 10	M 5	16	46	17	12	8	8	M 5-16
B 12	B 8	M 5	16	48	17	14	10	-	M 5-16
B 12	B 12	M 5	16	48	17	14	10	10	M 5-16
B 15	B 10	M 6	20	58	20,5	17	12	8	M 6-20
B 15	B 12	M 6	20	58	20,5	17	12	10	M 6-20
B 15	B 15	M 6	20	58	20,5	17	12	12	M 6-20
B 16	B 12	M 6	20	59	20,5	18	-	10	M 6-20
B 16	B 16	M 6	20	59	20,5	18	-	-	M 6-20
B 20	B 15	M 6	25	65	21,5	22	16	12	M 6-25
B 20	B 16	M 6	25	65	21,5	22	16	-	M 6-25
B 20	B 20	M 6	25	65	21,5	22	16	16	M 6-25

Surface

G	Tumbled, matt
S	Anodized black

ORDER KEY

KG - d_1 - d_2 - o



ACCESSORIES

- Adjustable hand lever set **HK** see page 172

ON REQUEST

- Clamping points with special diameter
- Screw points with hex head screws
- Surface anodized in colors

2D
2C
2B
2A
1D
1C
1B
1A