

### PRODUCT INFO

**Cross clamps KK** of die-cast aluminum or precision-cast stainless steel have slitted clamping points machined by cutting methods.

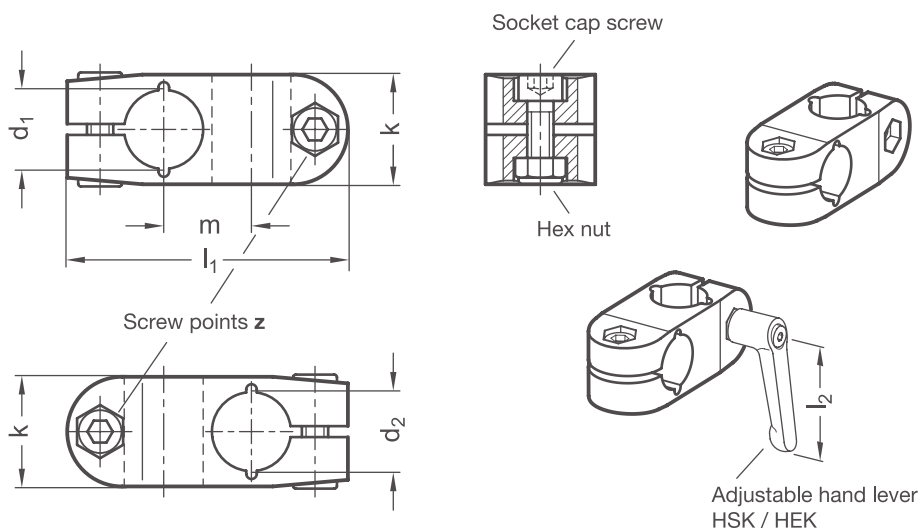
The bores of the clamping points are offset in the plane and arranged at an angle of 90°. They receive typically available rods and tubes with full surface contact over the entire cross-section of the bore.

At the screw points, hex socket cap screws or adjustable hand levers reduce the bore cross-section for clamping.

Adjustable hand levers are intended for repeated, tool-free clamping. Under the designation HSK or HEK, these are available separately for individual use and in other designs.

Compared with the tool-operated hex socket cap screw, the clamping force achievable with an adjustable hand lever is lower due to the shorter lever length.

### RoHS-compliant product



Clamping point 1		Clamping point 2		Clamping length <b>k</b>	<b>l<sub>1</sub></b>	<b>m</b>	Hex socket cap screws	Accessories recom. hand lever for z	
Bore <b>d<sub>1</sub></b>		Bore <b>d<sub>2</sub></b>						HSK for aluminum clamp lever length <b>l<sub>2</sub></b>	HEK for stainless steel clamp lever length <b>l<sub>2</sub></b>
Aluminum	Stainless steel	Aluminum	Stainless steel						
B 10	-	B 10	-	25	64	20	M 6-20	63	-
B 12	B 12	B 12	B 12	25	64	20	M 6-20	63	-
B 14	B 14	B 14	B 14	25	64	20	M 6-20	63	-
B 15	B 15	B 15	B 15	25	64	20	M 6-20	63	-
B 16	B 16	B 16	B 16	25	64	20	M 6-20	63	-
B 18	B 18	B 18	B 18	25	64	20	M 6-20	63	63
-	B 20	-	B 20	25	64	20	M 6-20	-	63

Screw points

**z**

1	Hex socket cap screw steel, zinc-plated DIN 912-8.8 and lock nut steel DIN 985-8, zinc-plated (only for aluminum clamp)
2	Hex socket cap screw stainless steel DIN 912-A2-70 and lock nut stainless steel DIN 985-A2, glide coating

Surface / material

**o**

2	Aluminum, textured powder-coated, Black RAL 9005
8	Aluminum, blasted, matt
ED	Stainless steel, blasted, matt

ORDER KEY

**KK - d<sub>1</sub> - d<sub>2</sub> - z - o**



ACCESSORIES

- Adjustable hand levers **HSK** see page 168
- Stainless steel adjustable hand levers **HEK** see page 170

ON REQUEST

- Clamping points with different diameters **d<sub>1</sub>** and **d<sub>2</sub>** or special diameter
- Screw points with hex head screws or mixed screw / hand lever elements
- Surface ball-burnished, anodized or powder-coated in other RAL colors

2D  
2C  
2B  
2A  
1D  
1C  
1B  
1A