



PRODUCT INFO

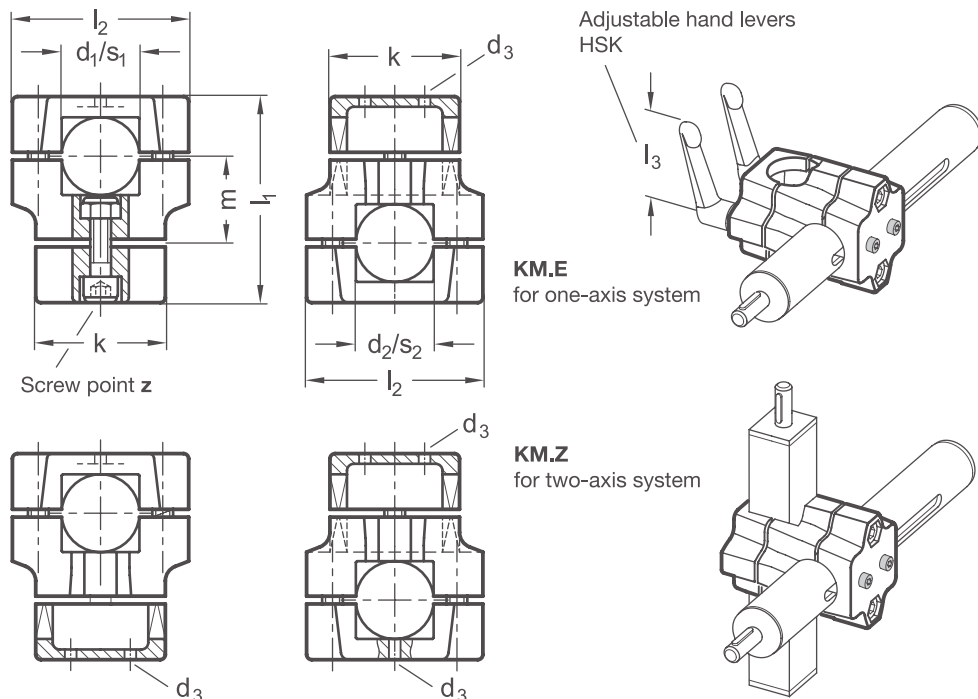
Cross linear unit connectors KM.E and KM.Z of die-cast aluminum have split clamping points and guide element bores that have been partially machined by cutting methods. The bores are offset in the plane and arranged at an angle of 90°.

Together with the guide tube of the linear unit, the guide element bores form a solid linear round or square guide mechanism that can be adjusted and clamped for low play. Centering bushes in the pass-through bores eliminate axial play. Drive keys transmit the linear movement of the linear unit to the linear unit connector.

Depending on the design, the part to be moved is fastened to the guide element or the guide element itself is installed at the place of use such that the entire linear unit moves together. At the screw points, hex socket cap screws or adjustable hand levers reduce the guide element bore or clamping point size.

Adjustable hand levers are intended for repeated, tool-free clamping. Under the designation HSK, these are available separately for individual use and in other designs. Compared with the tool-operated hex socket cap screw, the clamping force achievable with an adjustable hand lever is lower due to the shorter lever length.

RoHS-compliant product



KM.E for one-axis systems

Clamping point 1 - Clamping point 2			Clamping length k	Mounting screws on the drive key d₃	l₁	l₂	m	Hex socket cap screws	Accessories recom. hand lever
Bore - Bore d₁ - d₂	Bore - Square (d ₁ with drive key) d₁ - s₂	Square - Square s₁ - s₂							HSK for z lever length l₃
B30 - B30	B30 - V30	V30 - V30	50	M 4	79,5	68	33,5	M 8-30	78
B30 - B30	B30 - V30	V30 - V30	60	M 4	109	79	50	M 8-50	78
B40 - B40	B40 - V40	V40 - V40	60	M 5	109	79	50	M 8-50	78
B40 - B40	B40 - V40	V40 - V40	76	M 5	125	98	55	M 10-50	92
B50 - B50	B50 - V50	V50 - V50	76	M 6	125	98	55	M 10-50	92

KM.Z for two-axis systems

Clamping point 1 - Clamping point 2			Clamping length k	Mounting screws on the drive key d₃	l₁	l₂	m	Hex socket cap screws	Accessories recom. hand lever
Bore - Bore d₁ - d₂	Bore - Square d₁ - s₂	Square - Square s₁ - s₂							HSK for z lever length l₃
B30 - B30	B30 - V30	V30 - V30	50	M 4	79,5	68	33,5	M 8-30	78
B30 - B30	B30 - V30	V30 - V30	60	M 4	109	79	50	M 8-50	78
B40 - B40	B40 - V40	V40 - V40	60	M 5	109	79	50	M 8-50	78
B40 - B40	B40 - V40	V40 - V40	76	M 5	125	98	55	M 10-50	92
B50 - B50	B50 - V50	V50 - V50	76	M 6	125	98	55	M 10-50	92

Screw points

Z

1	Hex socket cap screw steel, zinc-plated DIN 912-8.8 and lock nut steel DIN 985-8, zinc-plated
2	Hex socket cap screw stainless steel DIN 912-A2-70 and lock nut stainless steel DIN 985-A2, glide coating

Surface

O

2	textured powder-coated, Black RAL 9005
8	blasted, matt

ACCESSORIES

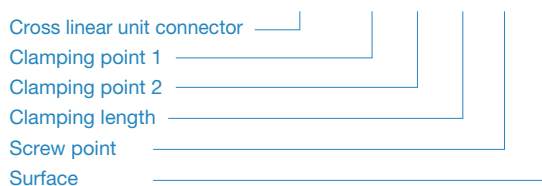
– Adjustable hand levers **HSK** see page 168

ON REQUEST

– Surface
ball-burnished, anodized or powder-coated in other RAL colors

One-axis system

ORDER KEY **KM.E - d₁ - d₂ - k - z - o**



Two-axis system

ORDER KEY **KM.Z - d₁ - d₂ - k - z - o**

