

PRODUCT INFO

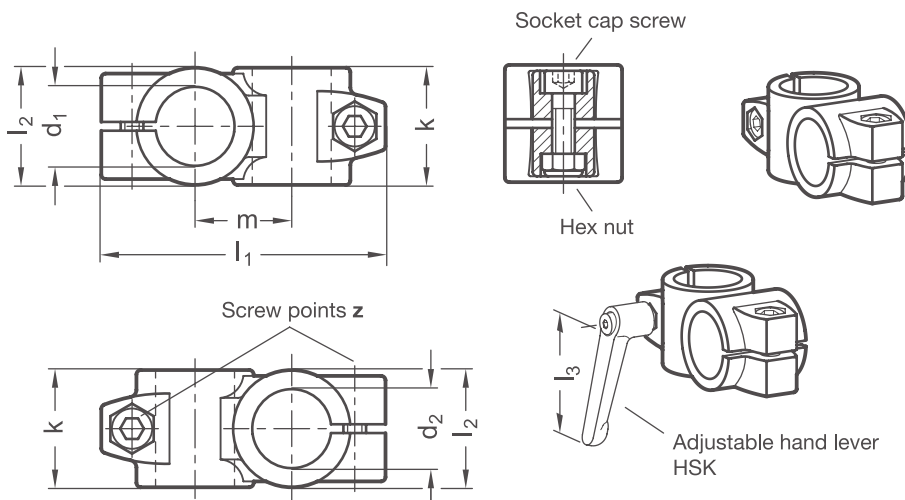
Cross clamps KS of die-cast Aluminum have slitted clamping points machined by cutting methods.

The bores of the clamping points are offset in the plane and arranged at an angle of 90°. They receive typically available construction tubes with full surface contact over the entire cross-section of the bore.

At the screw points, hex socket cap screws or adjustable hand levers reduce the bore cross-section for clamping.

Adjustable hand levers are intended for repeated, tool-free clamping. Under the designation HSK, these are available separately for individual use and in other designs. Compared with the tool-operated hex socket cap screw, the clamping force achievable with an adjustable hand lever is lower due to the shorter lever length.

RoHS-compliant product



Clamping point 1	Clamping point 2	Clamping length k	l₁	l₂	m	Hex socket cap screws	Accessories recom. hand lever
Bore d₁	Bore d₂						HSK for z lever length l₃
B 20	B 20	40	97	40	33	M 8-25	-
B 25	B 25	40	97	40	33	M 8-25	78
B 30	B 30	40	97	40	33	M 8-25	78
B 30	B 30	56	125	56	45	M 10-35	-
B 32	B 32	56	125	56	45	M 10-35	-
B 35	B 35	56	125	56	45	M 10-35	92
B 40	B 40	56	125	56	45	M 10-35	92
B 40	B 40	65	143	65	53	M 10-50	-
B 42	B 42	65	143	65	53	M 10-50	92
B 45	B 45	65	143	65	53	M 10-50	92
B 48	B 48	65	143	65	53	M 10-50	92
B 50	B 50	65	143	65	53	M 10-50	92
B 50	B 50	80	169	80	65	M 10-50	-
B 60	B 60	80	169	80	65	M 10-50	92

Screw points

Z

1	Hex socket cap screw steel, zinc-plated DIN 912-8.8 and lock nut steel DIN 985-8, zinc-plated
2	Hex socket cap screw stainless steel DIN 912-A2-70 and lock nut stainless steel DIN 985-A2, glide coating

Surface

O

2	Black textured powder-coated, RAL 9005
8	Blasted, matt

ORDER KEY

KS - d₁ - d₂ - k - z - o



ACCESSORIES

– Adjustable hand levers **HSK** see page 168

ON REQUEST

- Clamping points with different diameters d_1 and d_2 or special diameter
- Screw points with hex head screws or mixed screw / hand lever elements
- Surface ball-burnished, anodized or powder-coated in other RAL colors