



PRODUCT INFO

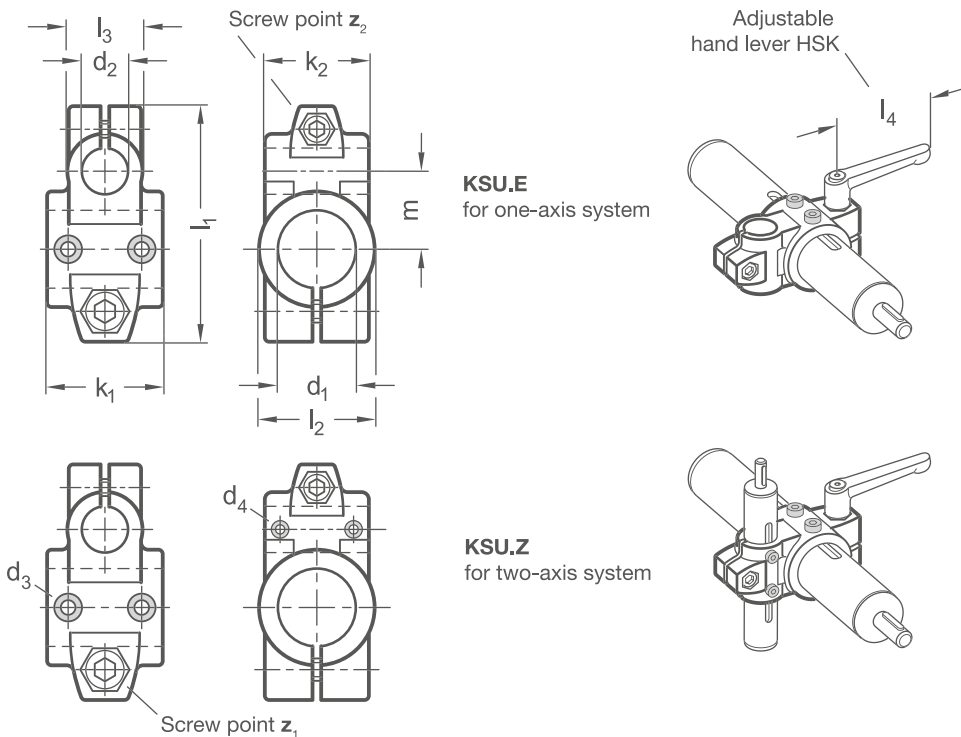
Cross linear unit connectors KSU.E and KSU.Z of die-cast aluminum have unequal slitted clamping points and guide element bores machined by cutting methods, with or without a sliding insert. The bores are offset in the plane and arranged at an angle of 90°.

Together with the guide tube of the linear unit, the guide element bores form a solid linear round guide mechanism that can be adjusted and clamped for low play. Drive keys transmit the linear movement of the linear unit to the linear unit connector.

Depending on the design, the part to be moved is fastened to the guide element or the guide element itself is installed at the place of use such that the entire linear unit moves together. At the screw points, hex socket cap screws or adjustable hand levers reduce the guide element bore or clamping point size.

Adjustable hand levers are intended for repeated, tool-free clamping. Under the designation HSK, these are available separately for individual use and in other designs. Compared with the tool-operated hex socket cap screw, the clamping force achievable with an adjustable hand lever is lower due to the shorter lever length.

RoHS-compliant product



KSU.E for one-axis systems

Clamping point 1 - 2		Mounting screws on the drive key d₃	k₁	k₂	l₁	l₂	l₃	m	Hex socket cap screws Z₁	Hex socket cap screws Z₂	Accessories recom. hand lever	
Without sliding insert	With PTFE sliding insert										for z ₁ lever length l₄	for z ₂ lever length l₄
B30 - B18	G30 - B18	M 4	40	36	81,5	40	26	27	M 8-25	M 6-20	78	63
B50 - B30	G50 - B30	M 6	65	59	122	65	40	45	M 10-50	M 8-25	92	78

KSU.Z for two-axis systems

Clamping point 1 - 2		Mounting screws on the drive key		k₁	k₂	l₁	l₂	l₃	m	Hex socket cap screws Z₁	Hex socket cap screws Z₂	Accessories recom. hand lever	
Without sliding insert	With PTFE sliding insert	d₃	d₄									for z ₁ lever length l₄	for z ₂ lever length l₄
B30 - B18	G30 - G18	M 4	M 3	40	36	81,5	40	26	27	M 8-25	M 6-20	78	63
B50 - B30	G50 - G30	M 6	M 4	65	59	122	65	40	45	M 10-50	M 8-25	92	78

Screw points

Z

1	Hex socket cap screw steel, zinc-plated DIN 912-8.8 and lock nut steel DIN 985-8, zinc-plated
2	Hex socket cap screw stainless steel DIN 912-A2-70 and lock nut stainless steel DIN 985-A2, glide coating

Surface

O

2	textured powder-coated, Black RAL 9005
8	blasted, matt

ACCESSORIES

- Adjustable hand levers **HSK** see page 168

ON REQUEST

- Surface
ball-burnished, anodized or powder-coated in other RAL colors

One-axis system

ORDER KEY

KSU.E - d₁ - d₂ - z - o



Two-axis system

ORDER KEY

KSU.Z - d₁ - d₂ - z - o



2D
2C
2B
2A
1D
1C
1B
1A