

### PRODUCT INFO

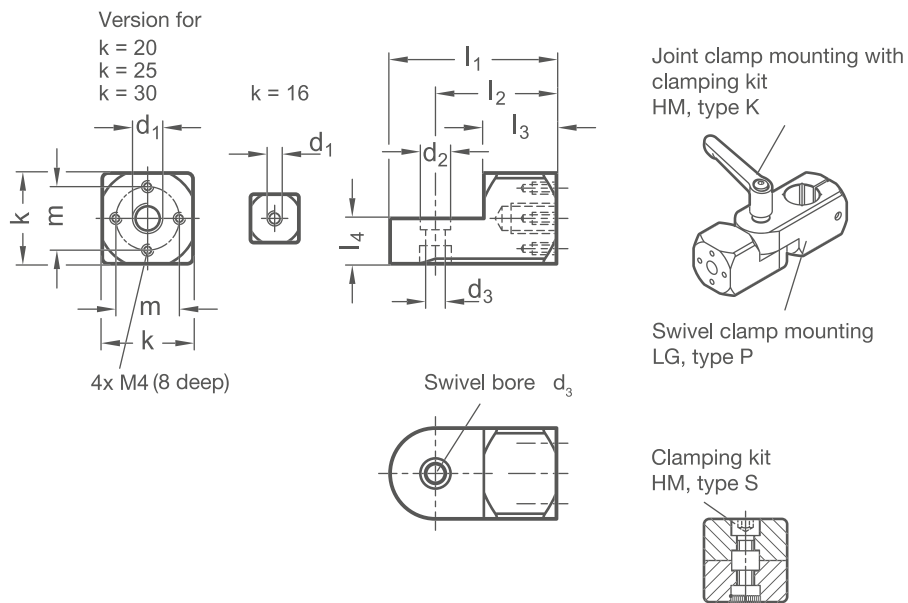
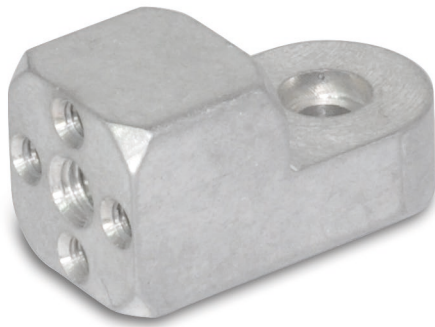
**Attachment swivel clamp mountings LGA** are made of drawn aluminum profiles and have a smooth clamping lug machined by cutting methods.

The lug is centered and situated at an angle of 90° to the attachment side, where it has a central thread and, as of dimension  $k = 20$ , an additional bore pattern of 4 x M4. Attachment clamp mountings are intended for attaching sensor mounts SG and retaining plates SGU.

Swivel clamp mountings LG can be combined with other swivel clamp mountings with identical  $k$  dimensions to create any kind of joint clamp mounting. Clamping kits HM are available, type S with a screw and type K with an adjustable hand lever.

The relevant dimensions for ordering the clamping kits are found in the dimensions table.

### RoHS-compliant product



d <sub>1</sub>			k	d <sub>2</sub>	Swivel bore d <sub>3</sub>	l <sub>1</sub>	l <sub>2</sub>	l <sub>3</sub>	l <sub>4</sub>	m	Accessories	
												Clamping kit HM for d <sub>3</sub>
M 5	M 6	M 8	16	7	4,5	30	22	13	8	-	M 4-16	
M 6	M 8	-	20	8,5	5,5	38	28	17	10	14	M 5-20	
M 8	M 10	-	25	10	6,5	46	33,5	20	12,5	17	M 6-25	
M 8	M 10	M 12	30	10	6,5	55	40	24	15	20	M 6-30	

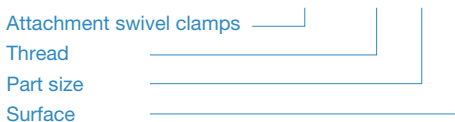
Surface

o

G	Tumbled, matt
S	Anodized black

ORDER KEY

LGA - d<sub>1</sub> - k - o



ACCESSORIES

– Clamping kit **HM** see page 174

ON REQUEST

- Clamping point with special diameter
- Screw point with hex head screw
- Surface anodized in colors