



PRODUCT INFO

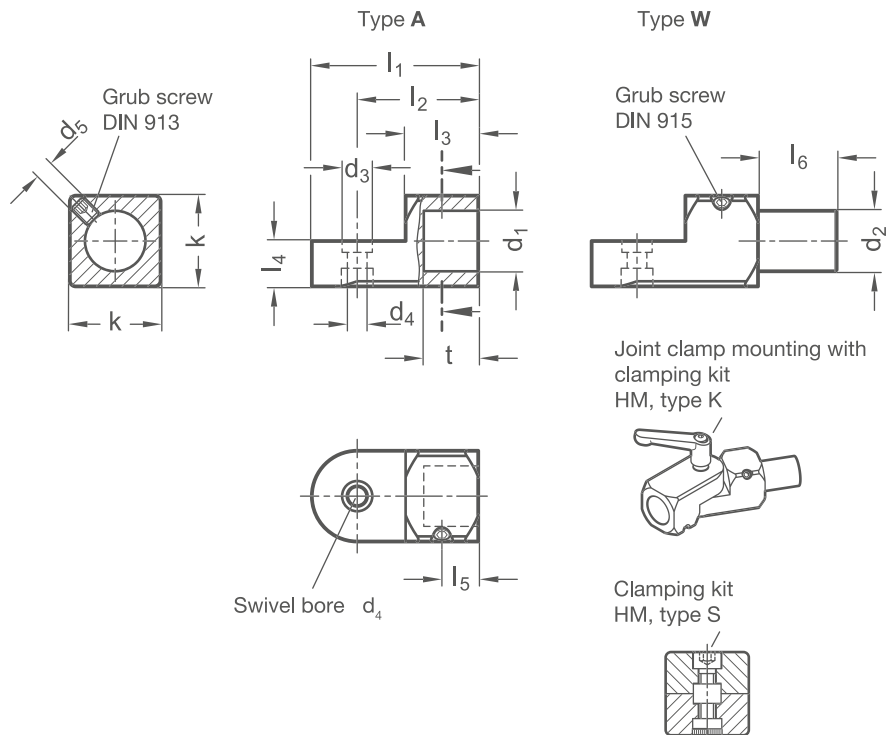
T-Swivel clamp mountings LGT are made of drawn aluminum profiles and have a smooth clamping lug machined by cutting methods.

The lug is T-shaped relative to the bolt and to the bore on the opposite side.

T-Swivel clamp mountings LGT can be combined with other swivel clamp mountings with identical k dimensions to create clamp mountings. Clamping kits HM are available, type S with a screw and type K with an adjustable hand lever.

The relevant dimensions for ordering the clamping kits are found in the dimensions table.

RoHS-compliant product



Type A d₁	Type W d₂	k	d₃	Swivel bore d₄	d₅	l₁	l₂	l₃	l₄	l₅	l₆	t	Accessories
													Clamping kit HM for d₄
B 8	8	16	7	4,5	M 4	30	22	13	8	5,5	16	8	M 4-16
B 10	10	20	8,5	5,5	M 5	38	28	17	10	7	17	10	M 5-20
B 12	12	20	8,5	5,5	M 5	38	28	17	10	8	19	12	M 5-20
B 15	15	25	10	6,5	M 6	46	33,5	20	12,5	10	21	15	M 6-25
B 16	16	25	10	6,5	M 6	46	33,5	20	12,5	11	24	16	M 6-25
B 20	20	30	10	6,5	M 6	55	40	24	15	12	26	18	M 6-30

Type
t

A	With bore
W	With bolt (stainless steel, AISI 303)

Surface
o

G	Tumbled, matt
S	Anodized black

ORDER KEY

LGT - d₁ / d₂ - k - t - o



ACCESSORIES

– Clamping kit **HM** see page 174

ON REQUEST

– Surface
anodized in colors

2D
2C
2B
2A
1D
1C
1B
1A