

PRODUCT INFO

Swivel clamps LMQ of die-cast aluminum have a split clamping point with round or square cross-section that has been partially machined by cutting methods. The fastening lug has a smooth surface.

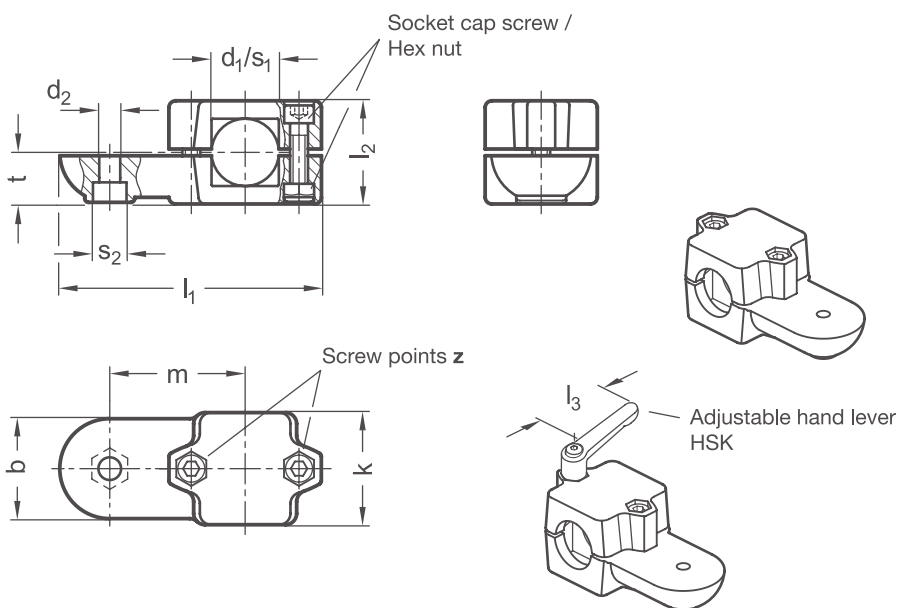
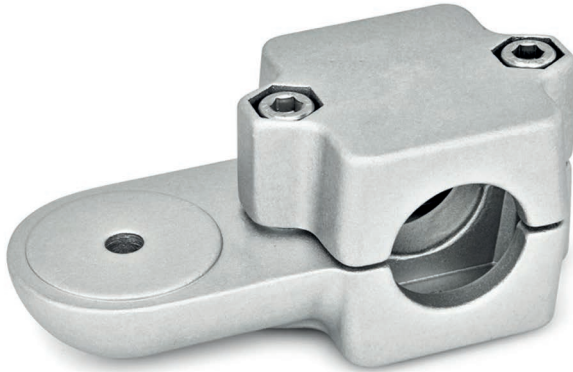
The fastening lug is centered and perpendicular to the axis of the bore, which receives typically available construction tubes via multiple ribs in the cross-section.

The screw point of the fastening lug receives a hex head or hex socket cap screw or a lock nut for fastening any additional parts. At the clamping point, hex socket cap screws or adjustable hand levers reduce the bore cross-section for clamping.

By combining swivel clamps that have identical fastening lugs, it is possible to assemble any type of joint clamp.

Adjustable hand levers are intended for repeated, tool-free clamping. Under the designation HSK, these are available separately for individual use and in other designs. Compared with the tool-operated hex socket cap screw, the clamping force achievable with an adjustable hand lever is lower due to the shorter lever length.

RoHS-compliant product



| Clamping point | | Lug width b | d₂ | Clamping length k | l₁ | l₂ | m | s₂ | t | Hex socket cap screws | Accessories recom. hand lever |
|------------------------------|--------------------------------|-----------------------|----------------------|-----------------------------|----------------------|----------------------|----------|----------------------|----------|-----------------------|---|
| Bore d₁ | Square s₁ | | | | | | | | | | HSK for z lever length l₃ |
| B 40 | V 40 | 65 | 10,5 | 76 | 166,5 | 70 | 85 | 17 | 35 | M 10-60 | 92 |
| B 42 | - | 65 | 10,5 | 76 | 166,5 | 70 | 85 | 17 | 35 | M 10-60 | 92 |
| B 45 | V 45 | 65 | 10,5 | 76 | 166,5 | 70 | 85 | 17 | 35 | M 10-60 | 92 |
| B 48 | - | 65 | 10,5 | 76 | 166,5 | 70 | 85 | 17 | 35 | M 10-60 | 92 |
| B 50 | V 50 | 65 | 10,5 | 76 | 166,5 | 70 | 85 | 17 | 35 | M 10-60 | 92 |

Type
t

OZ Without centering step (smooth)

Screw points
z

- 1 Hex socket cap screw steel, zinc-plated DIN 912-8.8 and lock nut steel DIN 985-8, zinc-plated
- 2 Hex socket cap screw stainless steel DIN 912-A2-70 and lock nut stainless steel DIN 985-A2, glide coating

Oberfläche
o

- 2 textured powder-coated, Black RAL 9005
- 8 blasted, matt

ORDER KEY

LMQ - d₁ / s₁ - t - z - o



ACCESSORIES

- Adjustable hand levers **HSK** see page 168

ON REQUEST

- Clamping point with special diameter
- Screw points with hex head screws or mixed screw / adjustable hand lever elements
- Surface ball-burnished, anodized or powder-coated in other RAL colors

2D
2C
2B
2A
1D
1C
1B
1A