

PRODUCT INFO

Swivel clamps LSF of die-cast aluminum have a fastening lug that is either smooth or features a centering ring. The centering ring can also have outer or inner crown toothing.

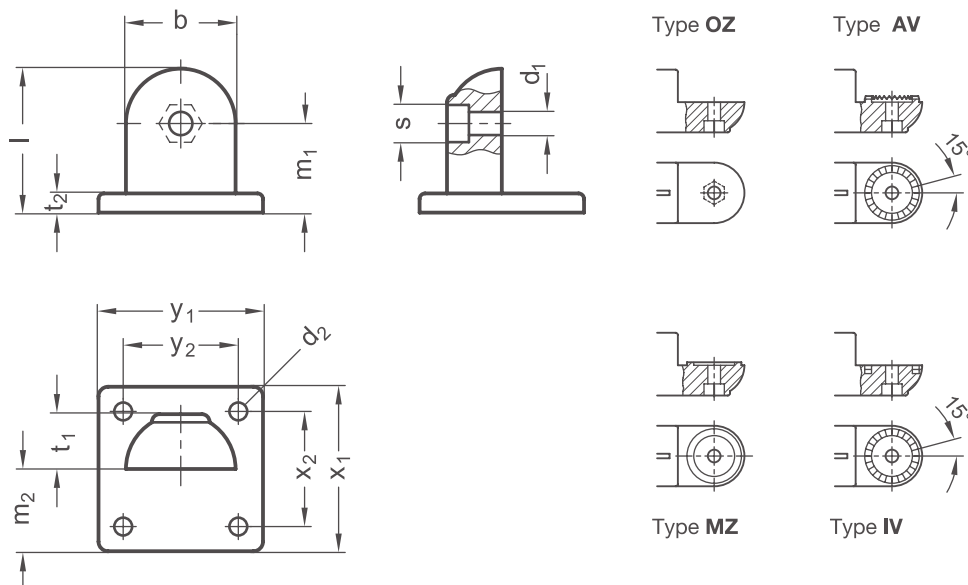
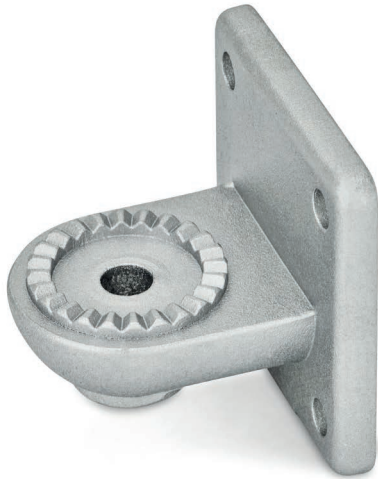
The fastening lug is centered and situated at an angle of 90° to the flange face.

The flange with four bores serves as an interface or for fastening the clamp to the place of use.

The screw point of the fastening lug receives a hex head or hex socket cap screw or a lock nut for fastening any additional parts.

By combining swivel clamps that have identical fastening lugs and corresponding centering ring toothing, it is possible to assemble any type of joint clamp.

RoHS-compliant product



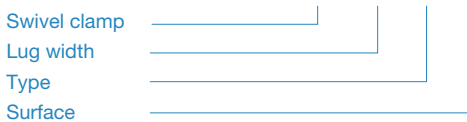
Lug width												
b	d₁	d₂	l	m₁	m₂	t₁	t₂	s	x₁	x₂	y₁	y₂
40	8,5	5,5	52,5	32,5	30	20	7	13	60	42	60	42
65	10,2	11	84,5	52	52,5	32,5	14	17	105	74	105	74

Type t	
OZ	Without centering step (smooth)
MZ	With centering step
AV	With external serration
IV	With internal serration

Surface o	
2	textured powder-coated, Black RAL 9005
8	blasted, matt

ORDER KEY

LSF - b - t - o



ON REQUEST

- Surface
ball-burnished, anodized or powder-coated in other RAL colors

2D
2C
2B
2A
1D
1C
1B
1A