



### PRODUCT INFO

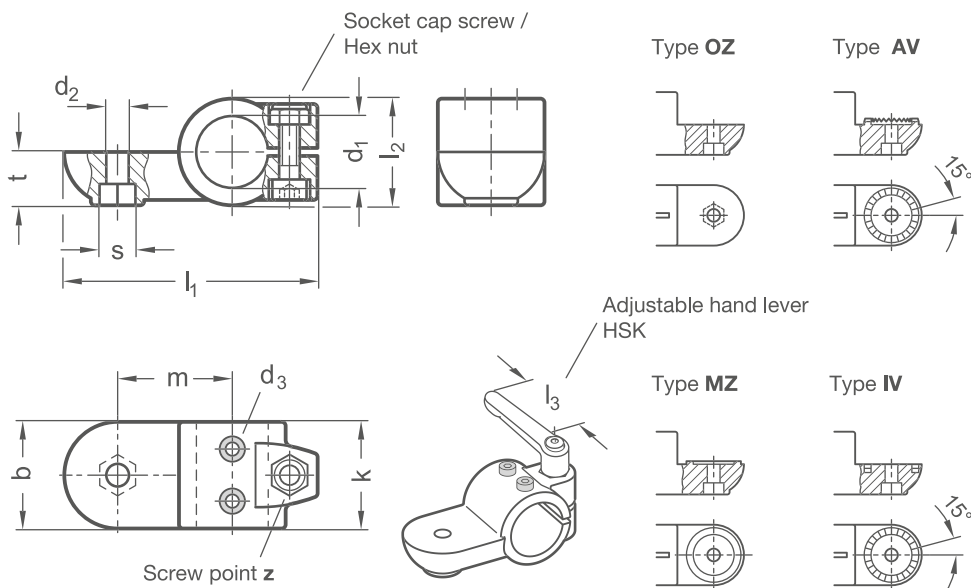
**Swivel linear unit connectors LSQ.E** of die-cast aluminum have a slitted guide element bore machined by cutting methods, with or without a sliding insert, as well as a clamping lug that may be smooth, have a centering ring or crown toothing that is either counter-sunk or raised. It is centered and perpendicular to the axis of the guide element bore.

Together with the guide tube of the linear unit, the guide element bore forms a solid linear round guide mechanism that can be adjusted and clamped for low play. Drive keys transmit the linear movement of the linear unit to the linear unit connector.

Depending on the design, the part to be moved is fastened to the guide element (e.g. as a swivel tube clamp) or the guide element itself is installed at the place of use such that the entire linear unit moves together. At the screw point, a hex socket cap screw or an adjustable hand lever reduces size of the guide element bore.

Adjustable hand levers are intended for repeated, tool-free clamping. Under the designation HSK, these are available separately for individual use and in other designs. Compared with the tool-operated hex socket cap screw, the clamping force achievable with an adjustable hand lever is lower due to the shorter lever length.

**RoHS-compliant product**



Clamping point		Lug width <b>b</b>	<b>d<sub>2</sub></b>	Mounting screws on the drive key <b>d<sub>3</sub></b>	<b>k</b>	<b>l<sub>1</sub></b>	<b>l<sub>2</sub></b>	<b>m</b>	<b>s</b>	<b>t</b>	Hex socket cap screw	Accessories recom. hand lever
Without sliding insert	With PTFE sliding insert											HSK for z lever length <b>l<sub>3</sub></b>
B 30	G 30	40	8,5	M 4	40	95	40	43	13	20	M 8-25	78
B 40	G 40	65	11	M 5	65	148	65	70	17	32,5	M 10-50	92
B 50	G 50	65	11	M 6	65	148	65	70	17	32,5	M 10-50	92

Type <b>t</b>	
OZ	Without centering step (smooth)
MZ	With centering step
AV	With external serration
IV	With internal serration

Screw point <b>z</b>	
1	Hex socket cap screw steel, zinc-plated DIN 912-8.8 and lock nut steel DIN 985-8, zinc-plated
2	Hex socket cap screw stainless steel DIN 912-A2-70 and lock nut stainless steel DIN 985-A2, glide coating

Surface <b>o</b>	
2	textured powder-coated, Black RAL 9005
8	blasted, matt

**ORDER KEY**

**LSQ.E - d<sub>1</sub> - t - z - o**



**ACCESSORIES**

– Adjustable hand levers **HSK** see page 168

**ON REQUEST**

– Surface  
ball-burnished, anodized or powder-coated in other RAL colors