

PRODUCT INFO

Swivel clamps LSQ of die-cast aluminum have a slitted clamping point machined with cutting methods. The fastening lug is smooth, has a centering ring or has crown serration that may be countersunk or raised.

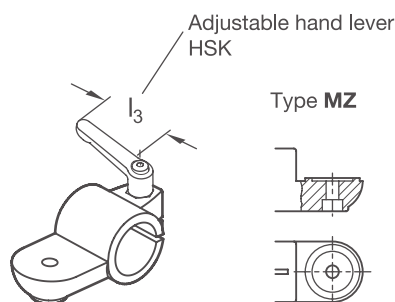
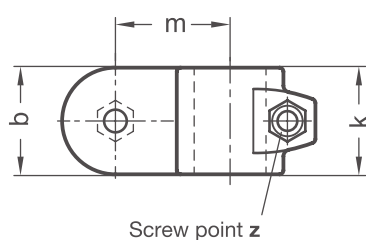
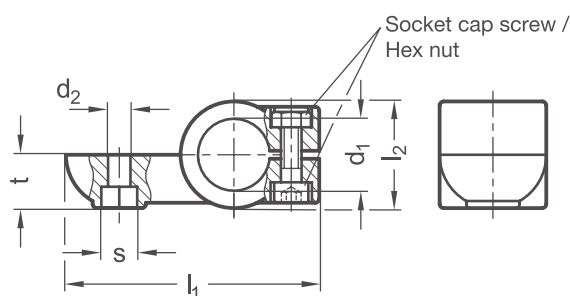
The fastening lug is centered and perpendicular to the axis of the bore, which receives typically available construction tubes with full contact over the entire cross-section.

The screw point of the fastening lug receives a hex head or hex socket cap screw or a lock nut for fastening any additional parts. At the clamping point, a hex socket cap screw or an adjustable hand lever reduces the bore cross-section for clamping.

By combining swivel clamps that have identical fastening lugs and corresponding centering ring serration, it is possible to assemble any type of joint clamp.

Adjustable hand levers are intended for repeated, tool-free clamping. Under the designation HSK, these are available separately for individual use and in other designs. Compared with the tool-operated hex socket cap screw, the clamping force achievable with an adjustable hand lever is lower due to the shorter lever length.

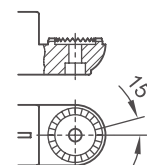
RoHS-compliant product



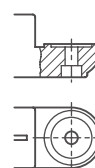
Type **OZ**



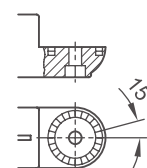
Type **AV**



Type **MZ**



Type **IV**



Clamping point	Lug width b	d₂	k	l₁	l₂	m	s	t	Hex socket cap screw	Accessories recom. hand lever
Bore d₁										HSK for z lever length l₃
B 20	40	8,5	40	95	40	43	13	20	M 8-25	-
B 25	40	8,5	40	95	40	43	13	20	M 8-25	78
B 30	40	8,5	40	95	40	43	13	20	M 8-25	78
B 40	65	10,5	65	148	65	70	17	32,5	M 10-50	92
B 42	65	10,5	65	148	65	70	17	32,5	M 10-50	92
B 45	65	10,5	65	148	65	70	17	32,5	M 10-50	92
B 48	65	10,5	65	148	65	70	17	32,5	M 10-50	92
B 50	65	10,5	65	148	65	70	17	32,5	M 10-50	92

Type **t**

OZ	Without centering step (smooth)
MZ	With centering step
AV	With external serration
IV	With internal serration

Screw point **z**

1	Hex socket cap screw steel, zinc-plated DIN 912-8.8 and lock nut steel DIN 985-8, zinc-plated
2	Hex socket cap screw stainless steel DIN 912-A2-70 and lock nut stainless steel DIN 985-A2, glide coating

Surface **o**

2	textured powder-coated, Black RAL 9005
8	blasted, matt

ORDER KEY

LSQ - d₁ - t - z - o



ACCESSORIES

- Adjustable hand levers **HSK** see page 168

ON REQUEST

- Clamping point with special diameter
- Screw point with hex head screw
- Surface ball-burnished, anodized or powder-coated in other RAL colors