



PRODUCT INFO

Swivel clamps LST.P of glass fiber reinforced polyamide have a slitted clamping point. The fastening lug is smooth, has a centering ring or has crown serration that may be countersunk or raised.

The fastening lug is centered and forms a T-shape relative to the axis of the bore, which receives typically available construction tubes with full contact over the entire cross-section.

Adapter bushings RBS.P can be used to reduce the bore cross-sections to a smaller diameter.

The screw point of the fastening lug receives a hex head or hex socket cap screw or a lock nut for fastening any additional parts. At the clamping point, a hex socket cap screw or an adjustable hand lever reduces the bore cross-section for clamping.

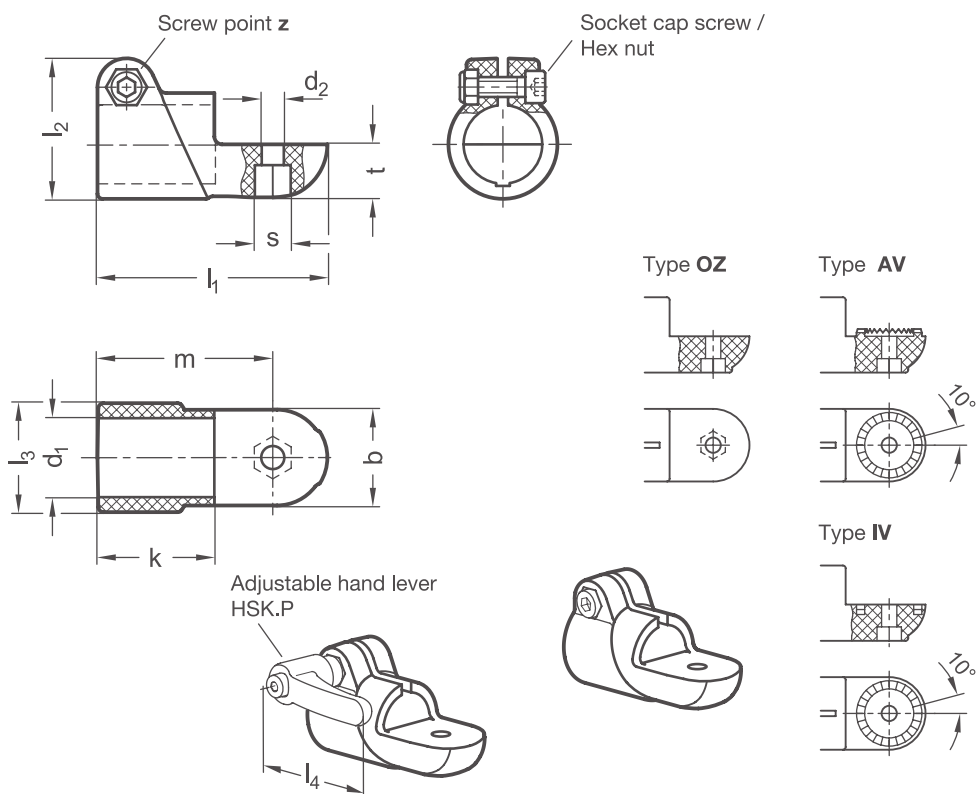
By combining swivel clamps that have identical fastening lugs and corresponding centering ring serration, it is possible to assemble any type of joint clamp.

Adjustable hand levers are intended for repeated, tool-free clamping. Under the designation HSK.P, these are available separately for individual use and in other designs. Compared with the tool-operated hex socket cap screw, the clamping force achievable with an adjustable hand lever is lower due to the shorter lever length.

RoHS-compliant product



Original design TCC-AP



Clamping point	Lug width	d_2	k	l_1	l_2	l_3	m	s	t	Hex socket cap screws	Accessories recom. hand lever	
Bore d_1	b										HSK.P for z lever length l_4	
B 30	40	8,5	45	88,5	54	42	67,5	13,5	20	M 8-25	63	78

Type	t
OZ	Without centering step (smooth)
AV	With external serration
IV	With internal serration

Screw point	z
2	Hex socket cap screw stainless steel DIN 912-A2-70 and lock nut stainless steel DIN 985-A2, glide coating

Surface	o
2	Polyamide (PA), glass fiber reinforced, Black RAL 9005 matt, temperature resistant up to 100 °C
4	Polyamide (PA), glass fiber reinforced, Gray RAL 7040 matt, temperature resistant up to 100 °C

ORDER KEY

LST.P - d_1 - t - z - o



ACCESSORIES

- Adapter bushings **RBS.P** see page 26
- Adjustable hand levers **HSK.P** see page 28

2D
2C
2B
2A
1D
1C
1B
1A