

### PRODUCT INFO

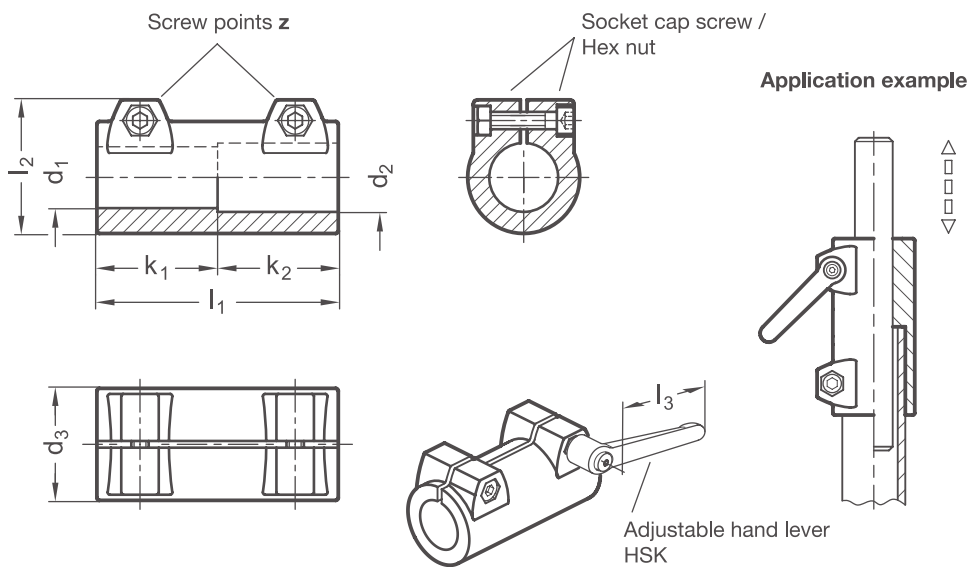
**Sleeve clamps MS** of die-cast aluminum have slitted clamping points machined by cutting methods.

The clamping point bores are situated concentrically on an axis. They receive typically available construction tubes with full surface contact over the entire cross-section of the bore.

At the screw points, hex socket cap screws or adjustable hand levers reduce the bore cross-section for clamping.

Adjustable hand levers are intended for repeated, tool-free clamping. Under the designation HSK, these are available separately for individual use and in other designs. Compared with the tool-operated hex socket cap screw, the clamping force achievable with an adjustable hand lever is lower due to the shorter lever length.

**RoHS-compliant product**



Clamping point 1	Clamping point 2		d <sub>3</sub>	Clamping length k <sub>1</sub>	Clamping length k <sub>2</sub>	l <sub>1</sub>	l <sub>2</sub>	Hex socket cap screws	Accessories recom. hand lever
	Bore d <sub>1</sub>	Bore d <sub>2</sub>							HSK for z lever length l <sub>3</sub>
B 20	B 20	B 25	40	45	45	90	52	M 8-25	-
B 25	B 25	B 30	40	45	45	90	52	M 8-25	78
B 30	B 30	-	40	45	45	90	52	M 8-35	78
B 40	B 40	B 50	65	70	70	140	77,5	M 10-50	-
B 42	B 42	-	65	70	70	140	77,5	M 10-50	-
B 45	B 45	-	65	70	70	140	77,5	M 10-50	92
B 48	B 48	-	65	70	70	140	77,5	M 10-50	92
B 50	B 50	-	65	70	70	140	77,5	M 10-50	92

Screw points

**Z**

1	Hex socket cap screw steel, zinc-plated DIN 912-8.8 and lock nut steel DIN 985-8, zinc-plated
2	Hex socket cap screw stainless steel DIN 912-A2-70 and lock nut stainless steel DIN 985-A2, glide coating

Surface

**O**

2	textured powder-coated, Black RAL 9005
8	blasted, matt

ORDER KEY

**MS - d<sub>1</sub> - d<sub>2</sub> - z - o**



**ACCESSORIES**

- Adjustable hand levers **HSK** see page 168

**ON REQUEST**

- Clamping points with different diameters d<sub>1</sub> and d<sub>2</sub> or special diameter
- Screw points with hex head screws or mixed screw / adjustable hand lever elements
- Surface ball-burnished, anodized or powder-coated in other RAL colors