

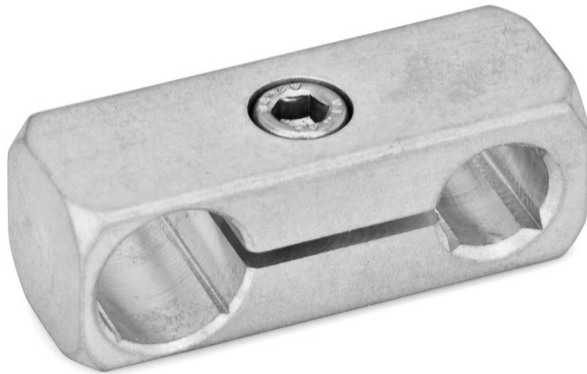
PRODUCT INFO

Parallel clamp mountings PG are made of drawn aluminum profiles and have slitted clamping points machined by cutting methods.

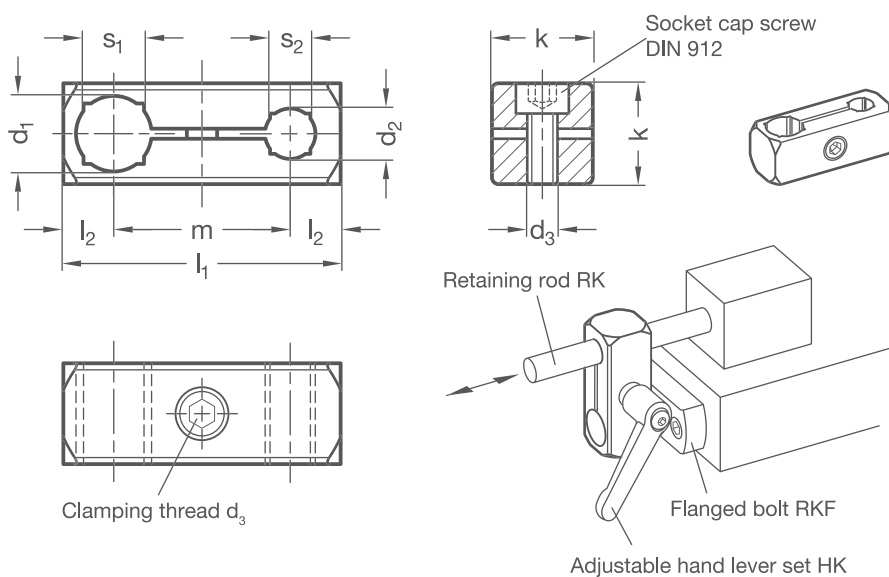
The bores at the clamping points are situated in a plane and are parallel to each other. They receive rods and tubes with round or square cross-sections via the additionally incorporated square bore.

For clamping, a stainless steel socket cap screw DIN 912-A2-70 combines with the clamping thread to reduce the bore cross-section. For regular tool-free clamping, adjustable hand lever sets are available as accessories under the designation HK.

RoHS-compliant product



1C



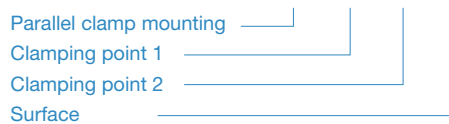
Clamping point 1	Clamping point 2	Clamping thread d₃	k	l₁	l₂	m	Square S₁	Square S₂	Accessories
Bore d₁	Bore d₂								Hand lever set HK for d₃
B 8	B 8	M 4	14	38	7	24	-	-	M 4-14
B 10	B 8	M 5	16	44	8	28	8	-	M 5-16
B 10	B 10	M 5	16	44	8	28	8	8	M 5-16
B 12	B 8	M 5	16	45	8	29	10	-	M 5-16
B 12	B 10	M 5	16	45	8	29	10	8	M 5-16
B 12	B 12	M 5	16	45	8	29	10	10	M 5-16
B 15	B 10	M 6	20	55	10	35	12	8	M 6-20
B 15	B 12	M 6	20	55	10	35	12	10	M 6-20
B 15	B 15	M 6	20	55	10	35	12	12	M 6-20
B 16	B 10	M 6	20	55	10	35	-	8	M 6-20
B 16	B 12	M 6	20	55	10	35	-	10	M 6-20
B 16	B 15	M 6	20	55	10	35	-	12	M 6-20
B 16	B 16	M 6	20	55	10	35	-	-	M 6-20
B 20	B 12	M 6	25	66	12,5	41	16	10	M 6-25
B 20	B 15	M 6	25	66	12,5	41	16	12	M 6-25
B 20	B 16	M 6	25	66	12,5	41	16	-	M 6-25
B 20	B 20	M 6	25	66	12,5	41	16	16	M 6-25

Surface

O	
G	Tumbled, matt
S	Anodized black

ORDER KEY

PG - d₁ - d₂ - o



ACCESSORIES

– Adjustable hand lever set **HK** see page 172

ON REQUEST

- Clamping points with special diameter
- Screw point with hex head screw
- Surface anodized in colors

2D
2C
2B
2A
1D
1C
1B
1A