

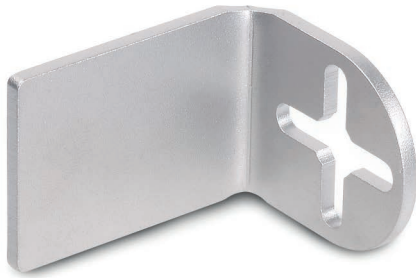
### PRODUCT INFO

**Stainless steel retaining plates SGU** are made from laser-cut and bent stainless steel sheets.

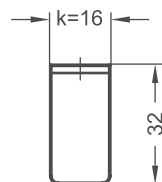
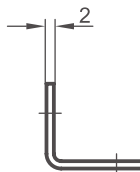
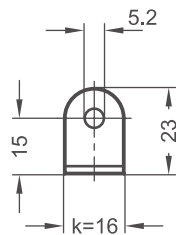
They serve as universal assembly elements, such as for incorporating specific bore patterns. The fastening bore is adapted to the central thread of the attachment clamps CGA and the attachment swivel clamp mountings LGA.

For the dimension  $k=30$ , the cross-shaped slots offer additional adjustment options and allow the use of two fastening screws. However, these are not included.

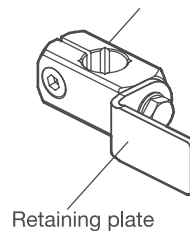
**RoHS-compliant product**

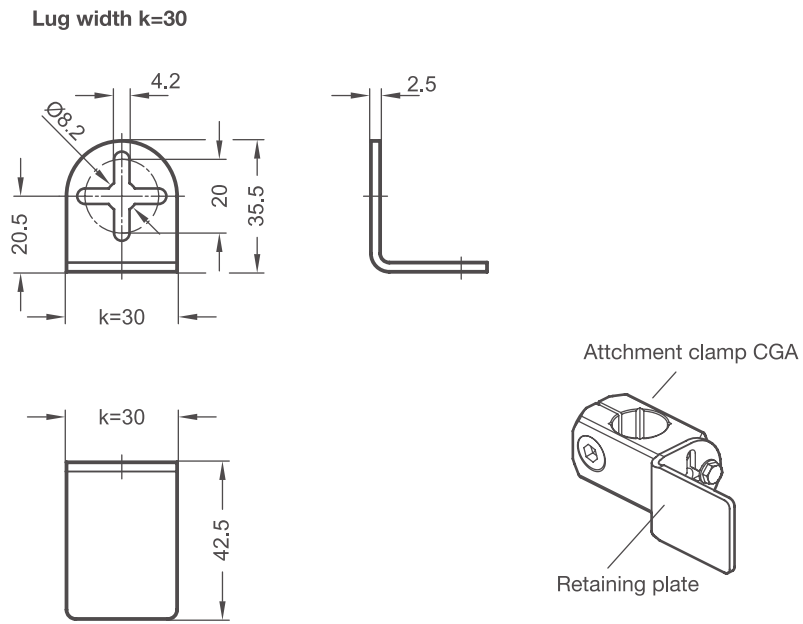


### Lug width $k=16$



Attachment clamp CGA





**k**

16

30

**ORDER KEY**

**SGU - k**

Retaining plate  
Lug width