

### PRODUCT INFO

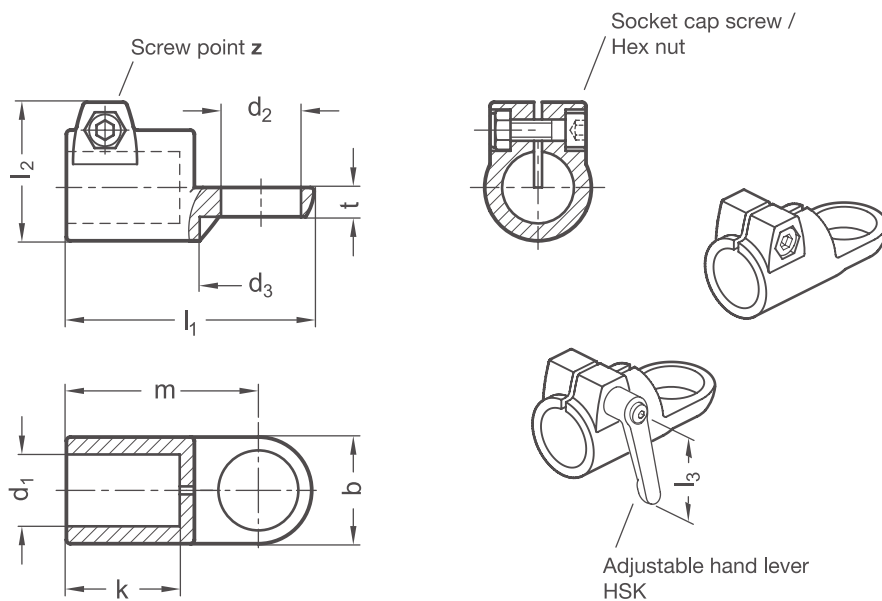
**Sensor mounts SST** of die-cast aluminum have a slitted clamping point and a sensor bore, both machined by cutting methods.

The sensor bore allows attachment of a sensor with male thread. It is centered and forms a T-shape relative to the clamping point bore, which receives typically available construction tubes with full contact over the entire cross-section.

At the screw point, a hex socket cap screw or an adjustable hand lever reduces the bore cross-section for clamping.

Adjustable hand levers are intended for repeated, tool-free clamping. Under the designation HSK, these are available separately for individual use and in other designs. Compared with the tool-operated hex socket cap screw, the clamping force achievable with an adjustable hand lever is lower due to the shorter lever length.

**RoHS-compliant product**



Clamping point	Sensor bore		Lug width <b>b</b>	<b>d<sub>3</sub></b>	<b>k</b>	<b>l<sub>1</sub></b>	<b>l<sub>2</sub></b>	<b>m</b>	<b>t</b>	Hex socket cap screw	Accessories recom. hand lever
	Bore <b>d<sub>1</sub></b>	<b>d<sub>2</sub></b>									HSK for z lever length <b>l<sub>3</sub></b>
B 20	B 18	B 30	40	50	42,5	92	52	72	10	M 8-25	-
B 25	B 18	B 30	40	50	42,5	92	52	72	10	M 8-25	78
B 30	B 18	B 30	40	50	42,5	92	52	72	10	M 8-25	78

Screw point **Z**

1	Hex socket cap screw steel, zinc-plated DIN 912-8.8 and lock nut steel DIN 985-8, zinc-plated
2	Hex socket cap screw stainless steel DIN 912-A2-70 and lock nut stainless steel DIN 985-A2, glide coating

Surface **O**

2	Aluminum, textured powder-coated, Black RAL 9005
---	--

**ORDER KEY**

**SST - d<sub>1</sub> - d<sub>2</sub> - z - o**



**ACCESSORIES**

- Adjustable hand levers **HSK** see page 168

**ON REQUEST**

- Clamping point with special diameter
- Screw point with hex head screws
- Surface ball-burnished, anodized or powder-coated in other RAL colors

2D  
2C  
2B  
2A  
1D  
1C  
1B  
1A