

## PRODUCT INFO

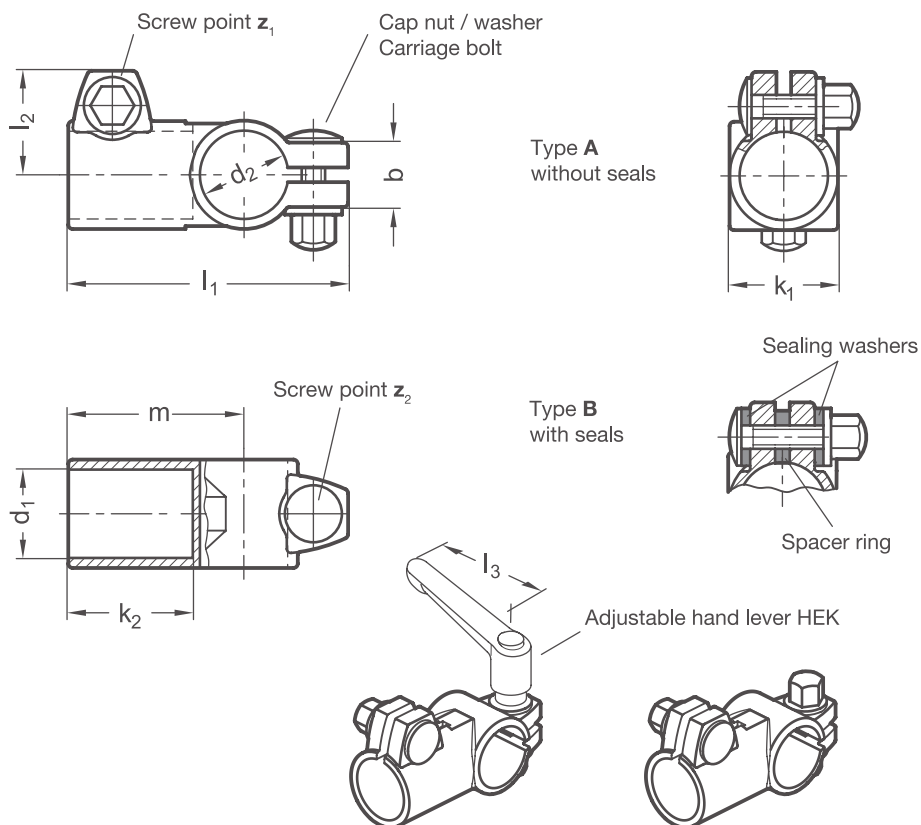
**Cross clamps TE** of matt blasted precision-cast stainless steel have a slitted clamping point machined by cutting methods.

The bores at the clamping points are situated in a plane and arranged in a T-shape. They receive typically available construction tubes with full surface contact over the entire cross-section of the bore.

At the screw points, carriage bolts together with cap nuts or adjustable hand levers reduce the bore cross-section for clamping. Type B is equipped with seals at the screw points.

Adjustable hand levers are intended for repeated, tool-free clamping. Under the designation HEK, these are available separately for individual use and in other designs. Compared with the tool-operated hex socket cap screw, the clamping force achievable with an adjustable hand lever is lower due to the shorter lever length.

## RoHS-compliant product



Clamping point 1	Clamping point 2	b	Clamping length $k_1$	$k_2$	$l_1$	$l_2$	m	Cap nut	Accessories recom. hand lever	
Bore $d_1$	Bore $d_2$								HEK for $z_1$ $l_3$	for $z_2$ $l_3$
B 30	B 30	22	37	42	96	35	60	M 8	78	78
B 50	B 50	30	65	75	151,5	48,5	103	M 10	92	92

Type $t$	
A	Without seals
B	With seals (sealing washer polyacetal POM, blue, spacer ring silicone 40 ... 60 Shore A, blue)

Screw points $z$	
4	Cap nut stainless steel DIN 917-A2 and carriage bolt stainless steel DIN 603-A2

**ORDER KEY**

**TE -  $d_1$  -  $d_2$  - t - z**



**ACCESSORIES**

– Stainless steel adjustable hand levers **HEK** see page 170

**ON REQUEST**

– Screw points with hex head screws or mixed screw / adjustable hand lever elements