

PRODUCT INFO

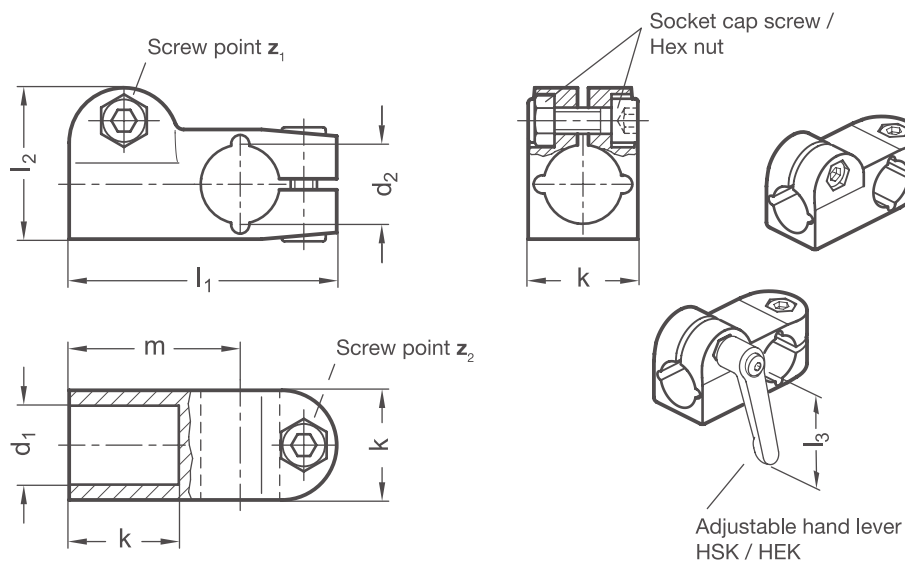
T-clamps TK of die-cast aluminum or precision-cast stainless steel have slitted clamping points machined by cutting methods.

The bores at the clamping points are situated in a plane and arranged in a T-shape. They receive typically available rods and tubes with full surface contact over the entire cross-section of the bore.

At the screw points, hex socket cap screws or adjustable hand levers reduce the bore cross-section for clamping.

Adjustable hand levers are intended for repeated, tool-free clamping. Under the designation HSK or HEK, these are available separately for individual use and in other designs. Compared with the tool-operated hex socket cap screw, the clamping force achievable with an adjustable hand lever is lower due to the shorter lever length.

RoHS-compliant product



Clamping point 1		Clamping point 2		Clamping length k	l₁	l₂	m	Hex socket cap screws z₁ / z₂	Accessories recom. hand lever			
Bore d₁		Bore d₂							HSK for aluminum clamp		HEK for stainless steel clamp	
Aluminum	Stainless steel	Aluminum	Stainless steel						for z ₁ l ₃	for z ₂ l ₃	for z ₁ l ₃	for z ₂ l ₃
B 10	-	B 10	-	25	61	34,5	39	M 6-20	-	63	-	-
B 12	B 12	B 12	B 12	25	61	34,5	39	M 6-20	-	63	63	63
B 14	B 14	B 14	B 14	25	61	34,5	39	M 6-20	-	63	63	63
B 15	B 15	B 15	B 15	25	61	34,5	39	M 6-20	-	63	63	63
B 16	B 16	B 16	B 16	25	61	34,5	39	M 6-20	-	63	63	63
B 18	B 18	B 18	B 18	25	61	34,5	39	M 6-20	-	63	63	63
-	B 20	-	B 20	25	61	34,5	39	M 6-20	-	-	63	63

Screw points
z

1	Hex socket cap screw steel, zinc-plated DIN 912-8.8 and lock nut steel DIN 985-8, zinc-plated (only for aluminum clamps)
2	Hex socket cap screw stainless steel DIN 912-A2-70 and lock nut stainless steel DIN 985-A2, glide coating

Surface / material
o

2	Aluminum, textured powder-coated, Black RAL 9005
8	Aluminum, blasted, matt
ED	Stainless steel, blasted, matt

ORDER KEY

TK - d₁ - d₂ - z - o



ACCESSORIES

- Adjustable hand levers **HSK** see page 168
- Stainless steel adjustable hand levers **HEK** see page 170

ON REQUEST

- Clamping points with different diameters d₁ and d₂ or special diameter
- Screw points with hex head screws or mixed screw / adjustable hand lever elements
- Surface ball-burnished, anodized or powder-coated in other RAL colors