



### PRODUCT INFO

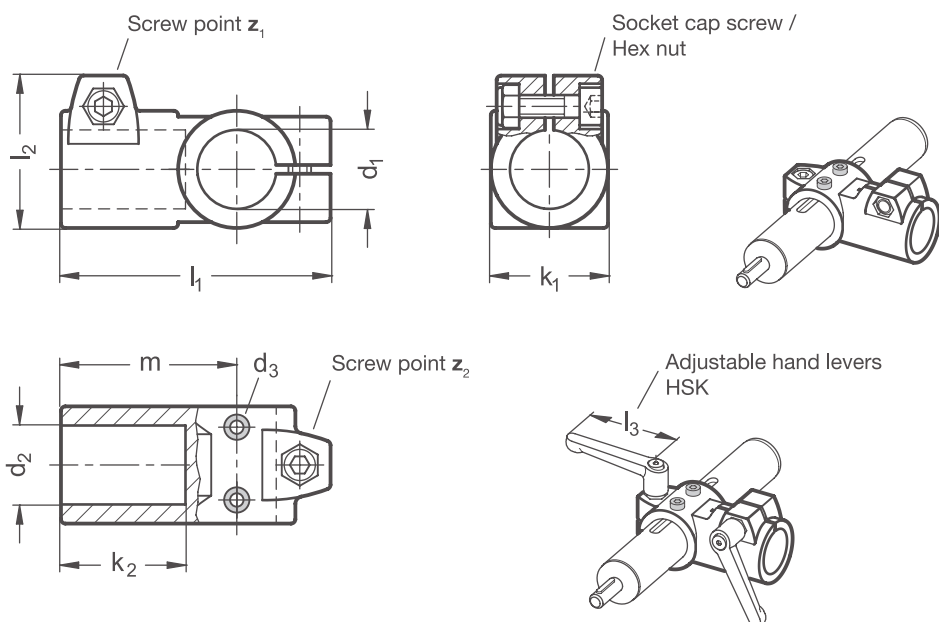
**T-linear unit connectors TS.E** of die-cast aluminum have a slitted clamping point and guide element bore machined by cutting methods, with or without a sliding insert. Both bores are situated in a plane and arranged in a T-shape.

Together with the guide tube of the linear unit, the guide element bore forms a solid linear round guide mechanism that can be adjusted and clamped for low play. Drive keys transmit the linear movement of the linear unit to the linear unit connector.

Depending on the design, the part to be moved is fastened to the guide element or the guide element itself is installed at the place of use such that the entire linear unit moves together. At the screw points, hex socket cap screws or adjustable hand levers reduce the guide element bore or clamping point size.

Adjustable hand levers are intended for repeated, tool-free clamping. Under the designation HSK, these are available separately for individual use and in other designs. Compared with the tool-operated hex socket cap screw, the clamping force achievable with an adjustable hand lever is lower due to the shorter lever length.

**RoHS-compliant product**



Clamping point 1		Clamping point 2	Clamping length <b>k<sub>1</sub></b>	Mounting screws on the drive key <b>d<sub>3</sub></b>	Clamping length <b>k<sub>2</sub></b>	<b>l<sub>1</sub></b>	<b>l<sub>2</sub></b>	<b>m</b>	Hex socket cap screws <b>z<sub>1</sub></b>	Hex socket cap screws <b>z<sub>2</sub></b>	Accessories recom. hand lever	
Bore <b>d<sub>1</sub></b>		Bore <b>d<sub>2</sub></b>									HSK for z <sub>1</sub> <b>l<sub>3</sub></b>	for z <sub>2</sub> <b>l<sub>3</sub></b>
Without sliding insert	With PTFE sliding insert											
B 30	G 30	B 30	40	M 4	42,5	92	52	60	M 8-25	M 8-25	78	78
B 30	G 30	B 30	56	M 4	62	130	68	90	M 10-35	M 10-35	-	-
B 40	G 40	B 40	56	M 5	62	130	68	90	M 10-35	M 10-35	92	92
B 40	G 40	B 40	65	M 5	75	148	77,5	103	M 10-50	M 10-50	92	-
B 50	G 50	B 50	65	M 6	75	148	77,5	103	M 10-50	M 10-50	92	92
B 60	G 60	B 60	80	M 8	80	177	92	125	M 10-50	M 10-50	92	-

Screw points

**z**

1	Hex socket cap screw steel, zinc-plated DIN 912-8.8 and lock nut steel DIN 985-8, zinc-plated
2	Hex socket cap screw stainless steel DIN 912-A2-70 and lock nut stainless steel DIN 985-A2, glide coating

Surface

**o**

2	textured powder-coated, Black RAL 9005
8	blasted, matt

ORDER KEY

**TS.E - d<sub>1</sub> - d<sub>2</sub> - k<sub>1</sub> - z - o**



ACCESSORIES

– Adjustable hand levers **HSK** see page 168

ON REQUEST

– Surface  
ball-burnished, anodized or powder-coated in other RAL colors