

PRODUCT INFO

Linear units VES are made from chrome-plated steel and can be ordered from stock in the standard lengths given in the table for short delivery times. Configurable linear units in individual lengths are available under VE1R.

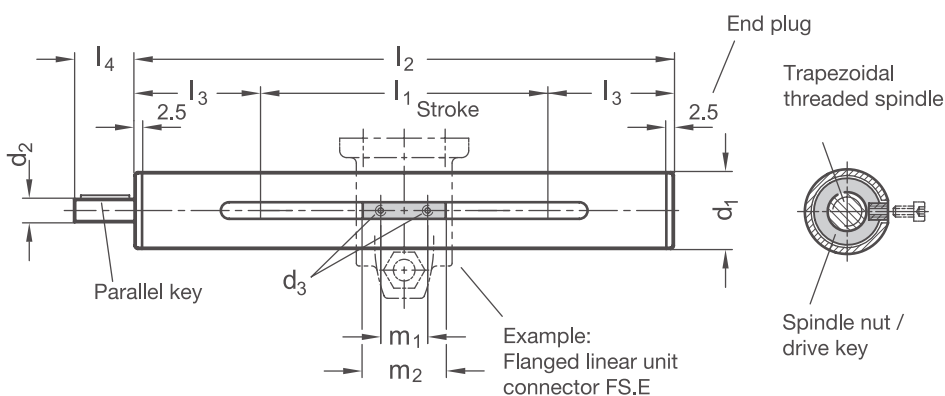
A continuous spindle with ball bearings on each side is installed in the guide tube. The spindle nut transmits the linear movements to a linear unit connector via a drive key along the guide groove.

The guide element bore forms a solid linear round guide together with the guide tube. Multiple connector types are available for selection and can be adjusted or clamped for low play using the slitted bore. Depending on the design, the part to be moved is fastened to the guide element or the guide element itself is installed at the place of use such that the entire linear unit moves together.

The journal length is designed for attachment of a handwheel. The handwheel and the linear unit connectors are not included with the linear unit and must be ordered separately.

Adjustable hand levers are intended for repeated, tool-free clamping of the guide elements. Under the designation HSK, these are available separately for individual use and in other designs. Compared with the tool-operated hex socket cap screw, the clamping force achievable with an adjustable hand lever is lower due to the shorter lever length.

RoHS-compliant product



d ₁	l ₁ Stroke (standard lengths)					max. Stroke	Threaded spindle	d ₂	d ₃	l ₂	l ₃	l ₄	m ₁	m ₂	Parallel key DIN 6885
18	65	165	265	-	-	350	TR 10x3	6	M 3	l ₁ +140	70	16	17	24	A2x2x12
30	100	150	200	300	-	1250	TR 14x4	8	M 4	l ₁ +205	102,5	16	23	38	A2x2x12
40	70	170	220	270	320	1570	TR 20x4	12	M 5	l ₁ +235	117,5	17	42	54	A4x4x12
50	65	115	215	265	315	1565	TR 20x4	12	M 6	l ₁ +240	120	18	42	54	A4x4x12
60	220	720	-	-	-	1520	TR 24x5	14	M 8	l ₁ +285	142,5	19	58	70	A5x5x16

Type
t

- R1
- Right-hand thread
 - Shaft journal on one side

Material
w

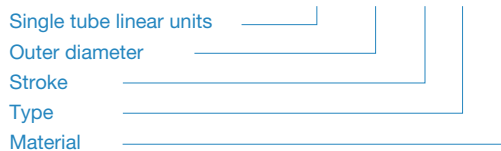
- ST
- Steel
 - Guide tube, DIN EN 10305-4: Steel, chrome-plated
 - Trapezoidal thread spindle: Steel, with ball bearing
 - Spindle nut: Red brass / end plug: Plastic

ACCESSORIES

- Handwheels **VZH** → see page 356
- Angle gears **YLS / YTS** → see page 374 / 376
- Transfer units **VA** → see page 370

ORDER KEY

VES - d₁ - l₁ - t - w



LINEAR UNIT CONNECTORS

The single tube linear unit VES only becomes a functional axis after attachment of a linear unit connector. Linear unit connectors are available in a variety of designs for different applications. To simplify the selection process, an overview is provided on page 238.



2D
2C
2B
2A
1D
1C
1B
1A