

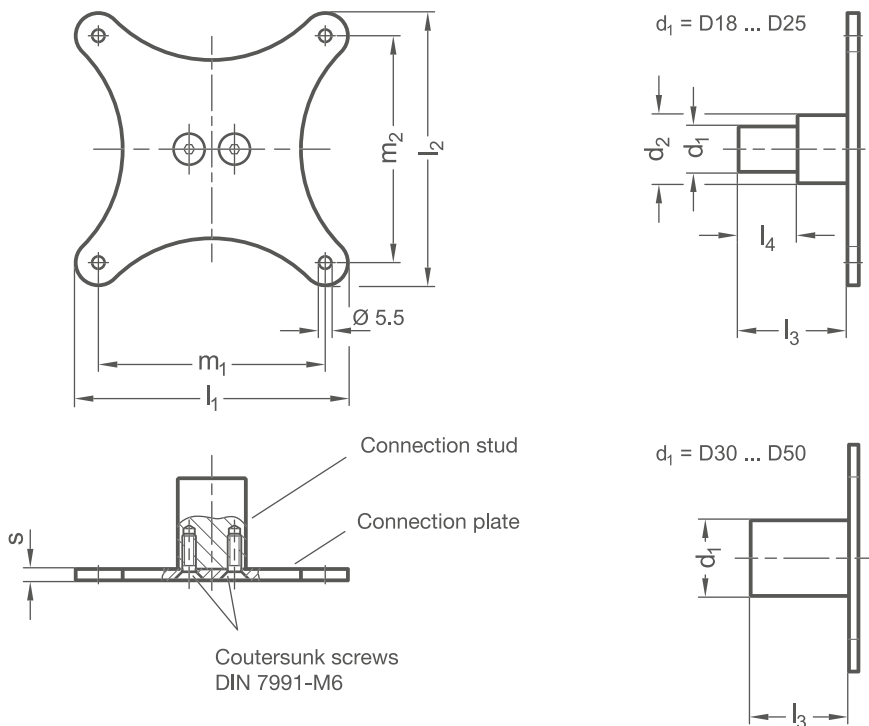


PRODUCT INFO

Monitor mounts VS can be ordered with bore patterns 75x75 or 100x100 and comply with the VESA standard.

The connection studs can be combined with various parts in the tube clamp product range to implement various fastening variants, degrees of freedom, and adjustment options for monitors.

RoHS-compliant product



d ₁	m ₁	m ₂	d ₂	l ₁	l ₂	l ₃	l ₄	s
D 18	75	75	30	95	95	46	24	5
D 20	75	75	30	95	95	48	26	5
D 25	75	75	30	95	95	54	32	5
D 30	75	75	-	95	95	40	-	5
D 40	75	75	-	95	95	52	-	5
D 50	75	75	-	95	95	65	-	5

d ₁	m ₁	m ₂	d ₂	l ₁	l ₂	l ₃	l ₄	s
D 18	100	100	30	120	120	46	24	5
D 20	100	100	30	120	120	48	26	5
D 25	100	100	30	120	120	54	32	5
D 30	100	100	-	120	120	40	-	5
D 40	100	100	-	120	120	52	-	5
D 50	100	100	-	120	120	65	-	5

Type
t

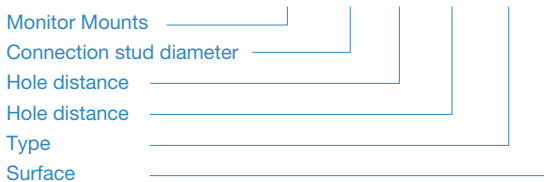
A	With connection stud
---	----------------------

Surface
o

8	Tumbled, matt (connection stud plain, turned)
---	---

ORDER KEY

VS - d₁ - m₁ - m₂ - t - o



2D
2C
2B
2A
1D
1C
1B
1A