

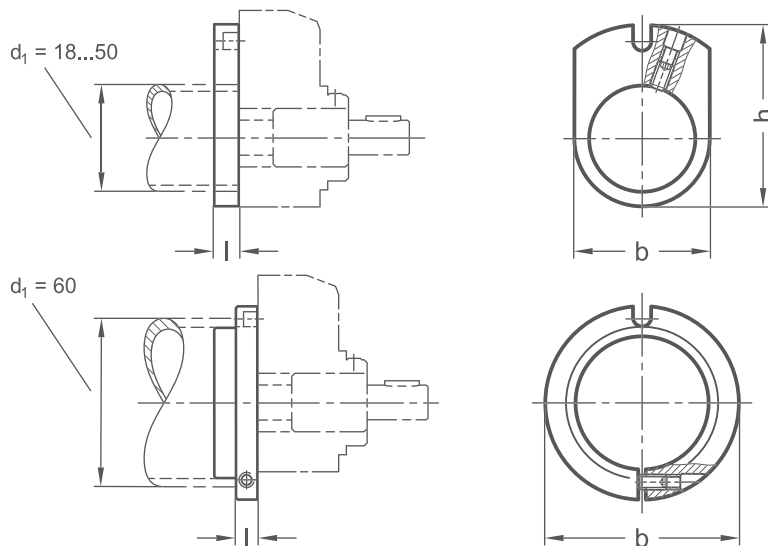


PRODUCT INFO

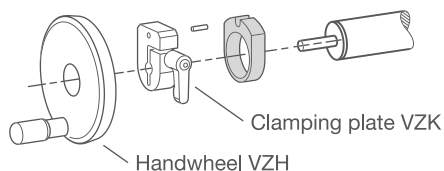
Torque supports **VZDR** are used together with round single tube linear units. They prevent the turning of clamping plates **VZK** and position indicators **VZPM** or **VZPE** attached as accessories.

The torque supports are made of black anodized aluminum and are clamped to the linear unit with a non-positive connection. They fix the position indicator or clamping plate in place via the radial groove open on one side.

RoHS-compliant product



Assembly example



| d₁ Linear unit nominal diameter | b | h | l |
|--|----------|----------|----------|
| 18 | 24 | 33 | 10 |
| 30 | 35 | 42 | 10 |
| 40 | 47 | 56,5 | 10 |
| 50 | 58 | 61 | 10 |
| 60 | 64 | - | 7 |

| Surface / Material | |
|--------------------|--------------------------|
| o | |
| S | Aluminum, black anodized |

FOR USE WITH

– Single tube linear units, round

ORDER KEY

VZDR - d₁ - o

