

PRODUCT INFO

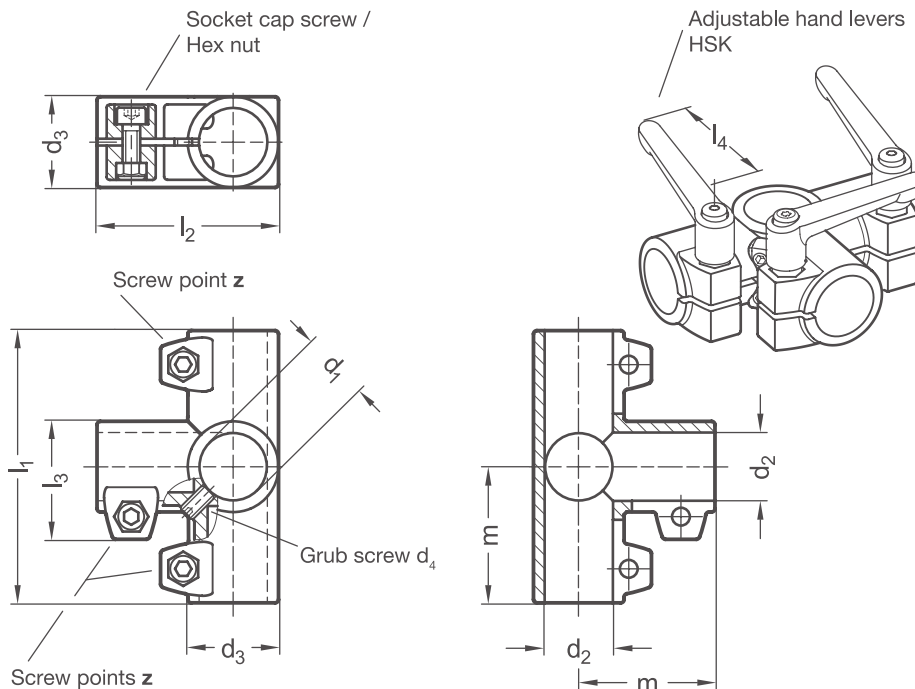
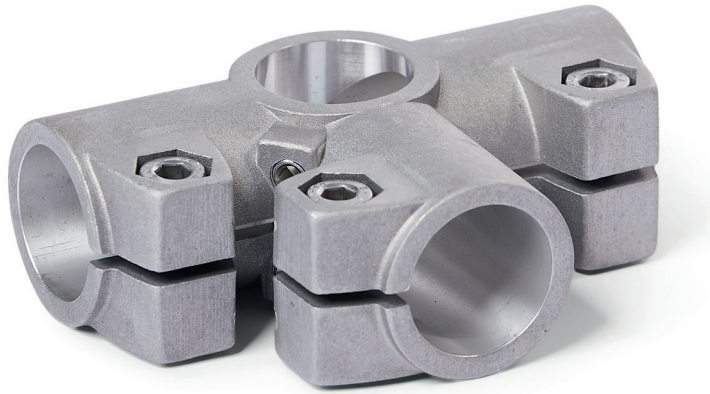
Angle clamps WS of die-cast aluminum have cylindrical clamping points machined by cutting methods. Three clamping points have a slitted cross-section and one has no clamping slit.

All bores of the clamping points are arranged at an angle of 90° to each other. The slitted bores lie in a plane, while the bore cross-section without clamping slit is perpendicular to this plane. All bores receive typically available construction tubes with full surface contact over the entire cross-section.

At the screw points, hex socket cap screws or adjustable hand levers reduce the slitted bore cross-section. Grub screws with cup points act radially on the cross-section of the bore for clamping without a clamping slit. Centering bores on the clamped tube prevent pressure points and enable precise positioning.

Adjustable hand levers are intended for repeated, tool-free clamping. Under the designation HSK, these are available separately for individual use and in other designs. Compared with the tool-operated hex socket cap screw, the clamping force achievable with an adjustable hand lever is lower due to the shorter lever length.

RoHS-compliant product



| Clamping point 1 | Clamping points 2 | | | | | | | | Accessories recom. hand lever |
|---------------------|---------------------|----------------|----------------|----------------|----------------|----------------|-----|-----------------------|---------------------------------------|
| Bore d ₁ | Bore d ₂ | d ₃ | d ₄ | l ₁ | l ₂ | l ₃ | m | Hex socket cap screws | HSK for z lever length l ₄ |
| B 20 | B 20 | 40 | M 8 | 120 | 80 | 52 | 60 | M 8-25 | - |
| B 25 | B 25 | 40 | M 8 | 120 | 80 | 52 | 60 | M 8-25 | 78 |
| B 30 | B 30 | 40 | M 8 | 120 | 80 | 52 | 60 | M 8-25 | 78 |
| B 40 | B 40 | 65 | M 10 | 206 | 135,5 | 77,5 | 103 | M 10-50 | - |
| B 42 | B 42 | 65 | M 10 | 206 | 135,5 | 77,5 | 103 | M 10-50 | - |
| B 45 | B 45 | 65 | M 10 | 206 | 135,5 | 77,5 | 103 | M 10-50 | 92 |
| B 48 | B 48 | 65 | M 10 | 206 | 135,5 | 77,5 | 103 | M 10-50 | 92 |
| B 50 | B 50 | 65 | M 10 | 206 | 135,5 | 77,5 | 103 | M 10-50 | 92 |

Screw points

Z

| | |
|---|--|
| 1 | Hex socket cap screw steel, zinc-plated DIN 912-8.8 and lock nut steel DIN 985-8, zinc-plated / grub screw DIN 914 steel, zinc-plated |
| 2 | Hex socket cap screw stainless steel DIN 912-A2-70 and lock nut stainless steel DIN 985-A2, glide coating / Grub screw Stainless steel |

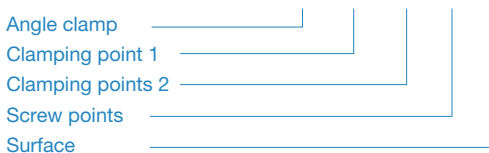
Surface

O

| | |
|---|--|
| 2 | textured powder-coated, Black RAL 9005 |
| 8 | blasted, matt |

ORDER KEY

WS - d₁ - d₂ - z - o



ACCESSORIES

– Adjustable hand levers **HSK** see page 168

ON REQUEST

- Clamping points with special diameter
- Screw points with hex head screws or mixed screw / adjustable hand lever elements
- Surface ball-burnished, anodized or powder-coated in other RAL colors