



PRODUCT INFO

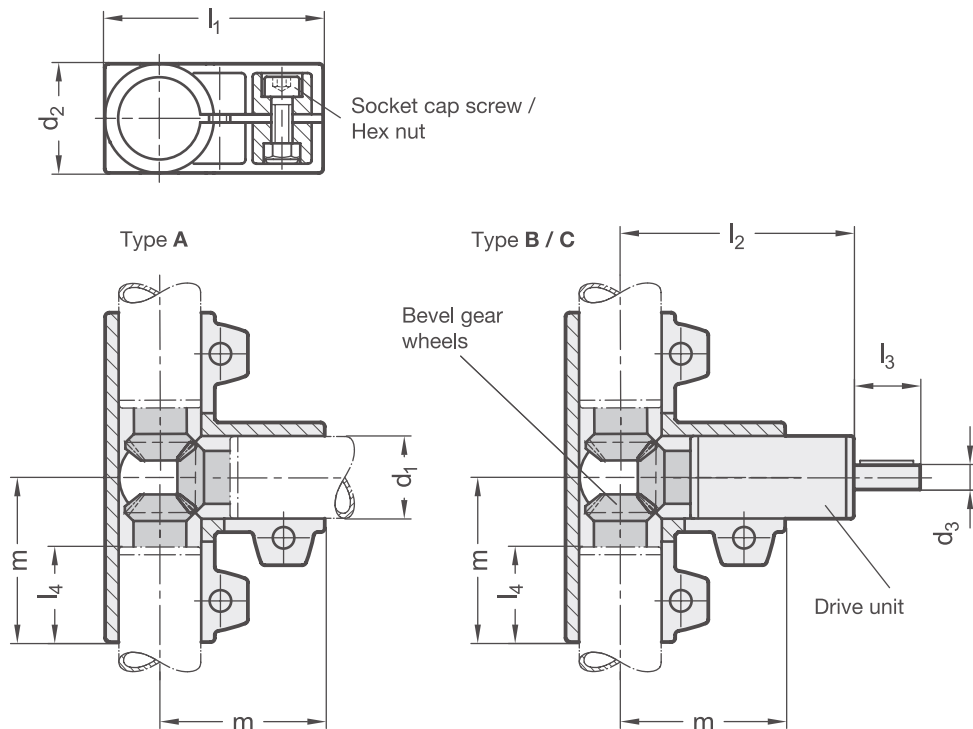
T-angle gears YTS transmit rotational movements between multiple linear, drive or transfer units. The input and output sides are offset by 90°, and the rotational axes have a common point of intersection.

The angle gear is clamped radially to the nominal diameter of a linear unit using the slitted clamping point. The bevel gear wheels are fixed in place on the shaft journal using parallel keys and grub screws. Removing the plastic caps offers good access, making it easier to adjust the engagement of the bevel gear wheels.

T-angle gears can be ordered with various features for different applications based on the types listed in the table. This makes it possible to combine various linear, drive or transfer units together.

The housing is made of die-cast aluminum, while selectively hardened steel is used for the bevel gear wheels. The drive unit is made of chrome-plated steel, and the tube stoppers are made of plastic.

RoHS-compliant product



Linear unit nominal diameter d₁	d₂	d₃	l₁	l₂ ≈	l₃	l₄ ≈	m	Hex socket cap screws
30	40	8	80	85	16	35	60	M 8-25
40	65	12	135,5	124	17	72	103	M 10-50
50	65	12	135,5	124	18	72	103	M 10-50

Type t	
A	Angle gear box + bevel gear wheel set
B	Angle gear box + bevel gear wheel set + drive unit (steel chrome plated)
C	Angle gear box + bevel gear wheel set + drive unit (stainless steel)

Surface o	
2	Textured powder-coated, Black RAL 9005
8	Blasted, matt

ORDER KEY

YTS - d₁ - t - o



ON REQUEST

- Angle gear for nominal diameter **Ø18** and **Ø60**
- Surface ball-burnished, anodized or powder-coated in other RAL colors

2D
2C
2B
2A
1D
1C
1B
1A