

PRODUCT INFO

Flanged clamps FS of die-cast aluminum have a slitted clamping point machined by cutting methods.

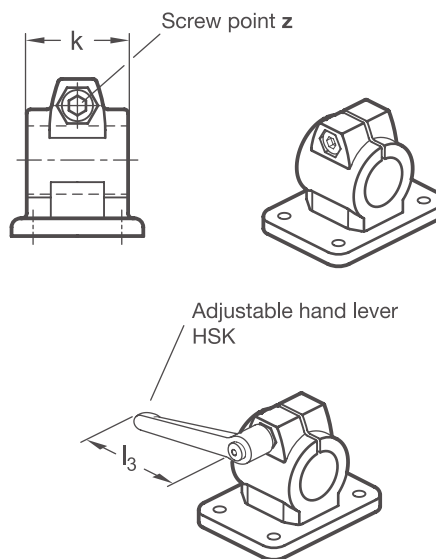
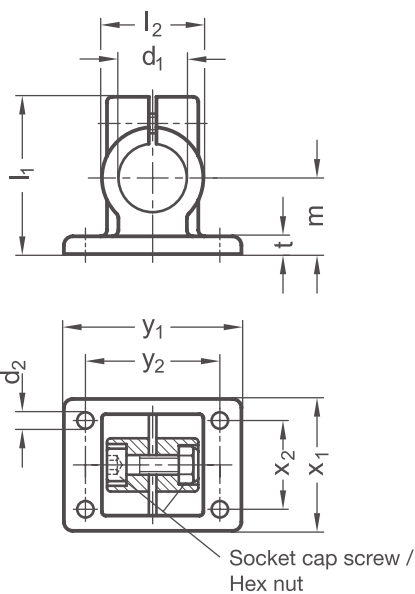
The flange with four bores serves as an interface or for fastening the clamp to the place of use.

The bore at the clamping point is arranged in the plane parallel to the face of the flange. It receives typically available construction tubes with full surface contact over the entire cross-section of the bore.

At the screw point, a hex socket cap screw or an adjustable hand lever reduces the bore cross-section for clamping.

Adjustable hand levers are intended for repeated, tool-free clamping. Under the designation HSK, these are available separately for individual use and in other designs. Compared with the tool-operated hex socket cap screw, the clamping force achievable with an adjustable hand lever is lower due to the shorter lever length.

RoHS-compliant product



Clamping point	Clamp- ing length k	d ₂	l ₁	l ₂	m	t	x ₁	x ₂	y ₁	y ₂	Hex socket cap screw	Zubehör recom. hand lever
Bore d ₁												HSK for z lever length l ₃
B 20	40	6,5	62	40	30	7	52	35	70	53	M 8-25	-
B 25	40	6,5	62	40	30	7	52	35	70	53	M 8-25	78
B 30	40	6,5	62	40	30	7	52	35	70	53	M 8-25	78
B 30	56	8,5	83	56	42	10	78	52	108	82	M 10-35	-
B 32	56	8,5	83	56	42	10	78	52	108	82	M 10-35	-
B 35	56	8,5	83	56	42	10	78	52	108	82	M 10-35	92
B 40	56	8,5	83	56	42	10	78	52	108	82	M 10-35	92
B 40	65	11	95	65	50	14	92	62	128	98	M 10-50	-
B 42	65	11	95	65	50	14	92	62	128	98	M 10-50	-
B 45	65	11	95	65	50	14	92	62	128	98	M 10-50	92
B 48	65	11	95	65	50	14	92	62	128	98	M 10-50	92
B 50	65	11	95	65	50	14	92	62	128	98	M 10-50	92
B 50	80	11	112	80	60	14	110	74	154	118	M 10-50	-
B 60	80	11	112	80	60	14	110	74	154	118	M 10-50	92

Screw point

Z

1	Hex socket cap screw steel, zinc-plated DIN 912-8.8 and lock nut steel DIN 985-8, zinc-plated
2	Hex socket cap screw stainless steel DIN 912-A2-70 and lock nut stainless steel DIN 985-A2, glide coating

Surface

O

2	textured powder-coated, Black RAL 9005
8	blasted, matt

ORDER KEY

FS - d₁ - k - z - o



ACCESSORIES

– Adjustable hand levers **HSK** see page 168

ON REQUEST

- Clamping point with special diameters
- Screw point with hex head screw
- Surface ball-burnished, anodized or powder-coated in other RAL colors

2D
2C
2B
2A
1D
1C
1B
1A