



PRODUCT INFO

Adjustable hand lever sets HK are comprised of silver powder-coated zinc die-cast handles containing installed screw inserts with a rolled thread. The screw inserts and the spacing and threaded bushes are made of turned stainless steel.

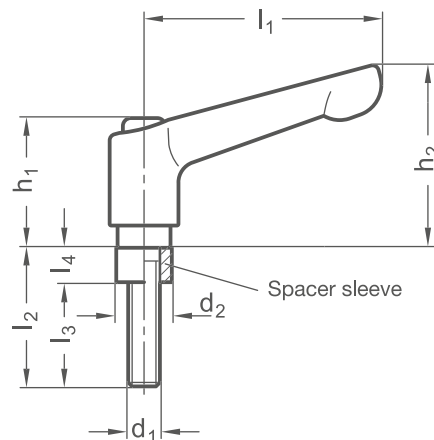
The screw inserts are connected to the handle by groove toothing such that they can be disengaged. Lifting the lever releases the engagement, and the adjustable hand lever can be swiveled to a favorable position.

Adjustable hand lever sets HK are specially designed as accessories for use with clamping threads of clamps. They replace the hex socket cap screws DIN 912 and are used where repeated tool-free clamping is required.

The clamping force achievable with an adjustable hand lever is lower than with tool-operated hex socket cap screws due to the shorter lever length.

The tables for the respective clamp mountings contain the appropriate and recommended hand lever sizes for each thread dimension.

RoHS-compliant product



d ₁	l ₂	d ₂	l ₁	l ₃	l ₄	h ₁	h ₂
M 4	14	7,5	22	9,5	4,5	18,5	23
M 4	16	7,5	22	11,5	4,5	18,5	23
M 4	20	7,5	22	15,5	4,5	18,5	23
M 5	16	9	30	10	6	24,5	30,5
M 5	20	9	30	14	6	24,5	30,5
M 5	25	9	30	19	6	24,5	30,5
M 6	20	10,5	45	13,5	6,5	24,5	35
M 6	25	10,5	45	18,5	6,5	24,5	35
M 6	30	10,5	45	25,5	6,5	24,5	35
M 6	32	10,5	45	25,5	6,5	24,5	35

ORDER KEY

HK - d₁ - l₂



ON REQUEST

- Adjustable hand lever surface in other RAL colors
- Threaded insert in zinc-plated steel