

PRODUCT INFO

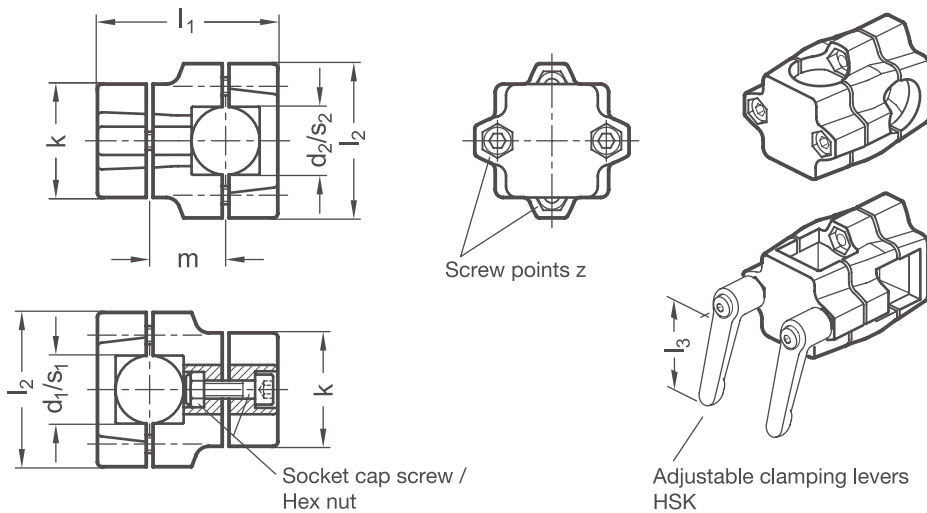
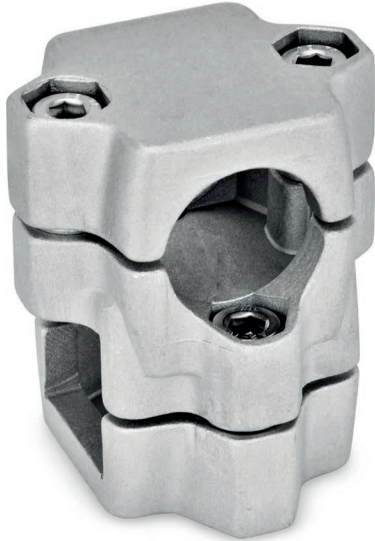
Cross clamps KM of die-cast aluminum have split clamping points with identical round or square cross-section that have been partially machined by cutting methods.

The bores of the clamping points are offset in the plane and arranged at an angle of 90°. They receive typically available construction tubes via multiple ribs in the cross-section of the bores.

At the screw points, hex socket cap screws or adjustable hand levers reduce the bore cross-section for clamping.

Adjustable hand levers are intended for repeated, tool-free clamping. Under the designation HSK, these are available separately for individual use and in other designs. Compared with the tool-operated hex socket cap screw, the clamping force achievable with an adjustable hand lever is lower due to the shorter lever length.

RoHS-compliant product



Clamping point 1 - Clamping point 2			Clamping length k	l₁	l₂	m	Hex socket cap screws	Accessories recom. hand lever
Bore - Bore d₁ - d₂	Bore - Square d₁ - s₂	Square - Square s₁ - s₂						HSK for z lever length l₃
B 20 - B 20	B 20 - V 20	V 20 - V 20	50	79,5	68	33,5	M 8-30	63
B 25 - B 25	B 25 - V 25	V 25 - V 25	50	79,5	68	33,5	M 8-30	63
B 30 - B 30	B 30 - V 30	V 30 - V 30	50	79,5	68	33,5	M 8-30	63
B 30 - B 30	B 30 - V 30	V 30 - V 30	60	109	79	50	M 8-50	63
B 32 - B 32	-	-	60	109	79	50	M 8-50	63
B 35 - B 35	B 35 - V 35	V 35 - V 35	60	109	79	50	M 8-50	63
B 40 - B 40	B 40 - V 40	V 40 - V 40	60	109	79	50	M 8-50	63
B 40 - B 40	B 40 - V 40	V 40 - V 40	76	125	98	55	M 10-50	78
B 42 - B 42	-	-	76	125	98	55	M 10-50	78
B 45 - B 45	B 45 - V 45	V 45 - V 45	76	125	98	55	M 10-50	78
B 48 - B 48	-	-	76	125	98	55	M 10-50	78
B 50 - B 50	B 50 - V 50	V 50 - V 50	76	125	98	55	M 10-50	78

Screw points

Z

1	Hex socket cap screw steel, zinc-plated DIN 912-8.8 and lock nut steel DIN 985-8, zinc-plated
2	Hex socket cap screw stainless steel DIN 912-A2-70 and lock nut stainless steel DIN 985-A2, glide coating

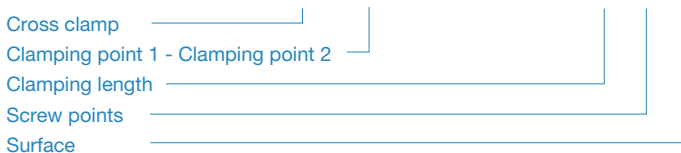
Surface

O

2	textured powder-coated, Black RAL 9005
8	blasted, matt

ORDER KEY

KM - d₁-d₂ (d₁-s₂ / s₁-s₂) - k - z - o



ACCESSORIES

- Adjustable hand levers **HSK** see page 168

ON REQUEST

- Clamping points with different diameters **d₁**, **d₂**, **s₁** and **s₂** or special diameters

- Screw points with hex head screws or mixed screw / adjustable hand lever elements

- Surface ball-burnished, anodized or powder-coated in other RAL colors