



PRODUCT INFO

Cross flanged clamps KMF of die-cast aluminum have split clamping points with identical round or square cross-section that have been partially machined by cutting methods.

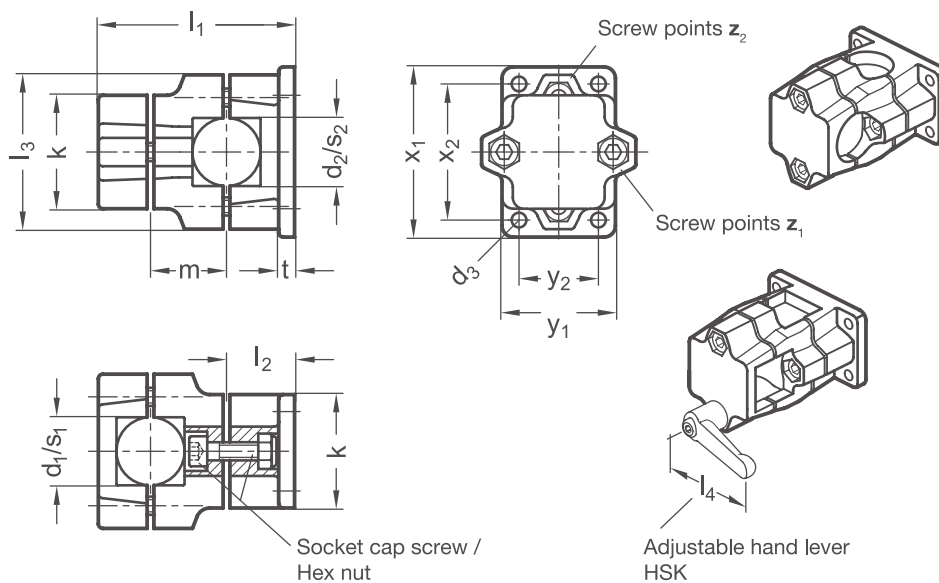
The flange with four bores serves as an interface or for fastening the clamp to the place of use.

The bores of the clamping points are offset in the plane and arranged at an angle of 90°. They receive typically available construction tubes via multiple ribs in the cross-section of the bores.

At the screw points, hex socket cap screws or adjustable hand levers reduce the bore cross-section for clamping.

Adjustable hand levers are intended for repeated, tool-free clamping. Under the designation HSK, these are available separately for individual use and in other designs. Compared with the tool-operated hex socket cap screw, the clamping force achievable with an adjustable hand lever is lower due to the shorter lever length.

RoHS-compliant product



Clamping point 1		Clamping point 2		d ₃	k	l ₁	l ₂	l ₃	m	t	x ₁	x ₂	y ₁	y ₂	z ₁	z ₂	Accessories recom. hand lever
Bore d ₁	Square s ₁	Bore d ₂	Square s ₂														HSK for z ₁ lever length l ₄
B 20	V 20	B 20	V 20	6,5	50	86	30	68	33,5	7	75	60	50	35	M 8-30	M 8-35	63
B 25	V 25	B 25	V 25	6,5	50	86	30	68	33,5	7	75	60	50	35	M 8-30	M 8-35	63
B 30	V 30	B 30	V 30	6,5	50	86	30	68	33,5	7	75	60	50	35	M 8-30	M 8-35	63
B 40	V 40	B 40	V 40	11	76	136	46	98	55	14	115	90	76	50	M 10-50	M 10-55	78
B 42	-	B 42	-	11	76	136	46	98	55	14	115	90	76	50	M 10-50	M 10-55	78
B 45	V 45	B 45	V 45	11	76	136	46	98	55	14	115	90	76	50	M 10-50	M 10-55	78
B 48	-	B 48	-	11	76	136	46	98	55	14	115	90	76	50	M 10-50	M 10-55	78
B 50	V 50	B 50	V 50	11	76	136	46	98	55	14	115	90	76	50	M 10-50	M 10-55	78

Screw points

Z	
1	Hex socket cap screw steel, zinc-plated DIN 912-8.8 and lock nut steel DIN 985-8, zinc-plated
2	Hex socket cap screw stainless steel DIN 912-A2-70 and lock nut stainless steel DIN 985-A2, glide coating

Surface

O	
2	textured powder-coated, Black RAL 9005
8	blasted, matt

ORDER KEY

KMF - d₁/s₁ - d₂/s₂ - z - o



ACCESSORIES

- Adjustable hand levers **HSK** see page 168

ON REQUEST

- Clamping points with different diameters d₁, d₂, s₁ and s₂ or special diameters

- Screw points with hex head screws or mixed screw / adjustable hand lever elements

- Surface ball-burnished, anodized or powder-coated in other RAL colors