

### PRODUCT INFO

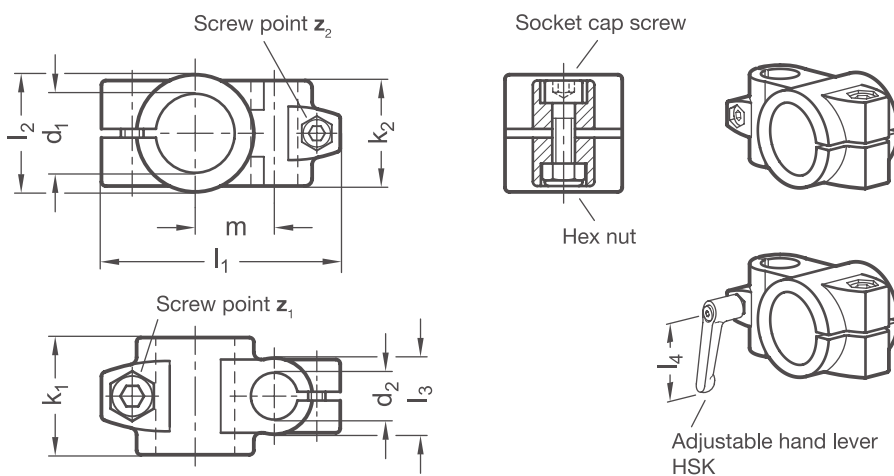
**Cross clamps KSU** of die-cast aluminum have slitted clamping points with different cross-sections that were machined by cutting methods.

The bores of the clamping points are offset in the plane and arranged at an angle of  $90^\circ$ . They receive typically available construction tubes with full surface contact over the entire cross-section of the bore.

At the screw points, hex socket cap screws or adjustable hand levers reduce the bore cross-section for clamping.

Adjustable hand levers are intended for repeated, tool-free clamping. Under the designation HSK, these are available separately for individual use and in other designs. Compared with the tool-operated hex socket cap screw, the clamping force achievable with an adjustable hand lever is lower due to the shorter lever length.

**RoHS-compliant product**



Clamping point 1	Clamping point 2						k <sub>1</sub>	k <sub>2</sub>	l <sub>1</sub>	l <sub>2</sub>	l <sub>3</sub>	m	Hex socket cap screw Z <sub>1</sub>	Hex socket cap screw Z <sub>2</sub>	Accessories recom. hand lever	
															for z <sub>1</sub> l <sub>4</sub>	for z <sub>2</sub> l <sub>4</sub>
Bore d <sub>1</sub>	Bore d <sub>2</sub>															
B 20	B 10	B 12	B 14	B 15	B 16	B 18	40	36	81,5	40	26	27	M 8-25	M 6-20	-	63
B 25	B 10	B 12	B 14	B 15	B 16	B 18	40	36	81,5	40	26	27	M 8-25	M 6-20	78	63
B 30	B 10	B 12	B 14	B 15	B 16	B 18	40	36	81,5	40	26	27	M 8-25	M 6-20	78	63
B 40	B 20	B 25	B 30	-	-	-	65	59	122	65	40	45	M 10-50	M 8-25	-	78
B 42	B 20	B 25	B 30	-	-	-	65	59	122	65	40	45	M 10-50	M 8-25	92	78
B 45	B 20	B 25	B 30	-	-	-	65	59	122	65	40	45	M 10-50	M 8-25	92	78
B 48	B 20	B 25	B 30	-	-	-	65	59	122	65	40	45	M 10-50	M 8-25	92	78
B 50	B 20	B 25	B 30	-	-	-	65	59	122	65	40	45	M 10-50	M 8-25	92	78

Screw points

Z	
1	Hex socket cap screw steel, zinc-plated DIN 912-8.8 and lock nut steel DIN 985-8, zinc-plated
2	Hex socket cap screw stainless steel DIN 912-A2-70 and lock nut stainless steel DIN 985-A2, glide coating

Surface

O	
2	textured powder-coated, Black RAL 9005
8	blasted, matt

ORDER KEY

KSU - d<sub>1</sub> - d<sub>2</sub> - z - o



ACCESSORIES

- Adjustable hand levers HSK see page 168

ON REQUEST

- Clamping points with different diameters d<sub>1</sub> and d<sub>2</sub> or special diameter
- Screw points with hex head screws or mixed screw / adjustable hand lever elements
- Surface ball-burnished, anodized or powder-coated in other RAL colors

2D  
2C  
2B  
2A  
1D  
1C  
1B  
1A